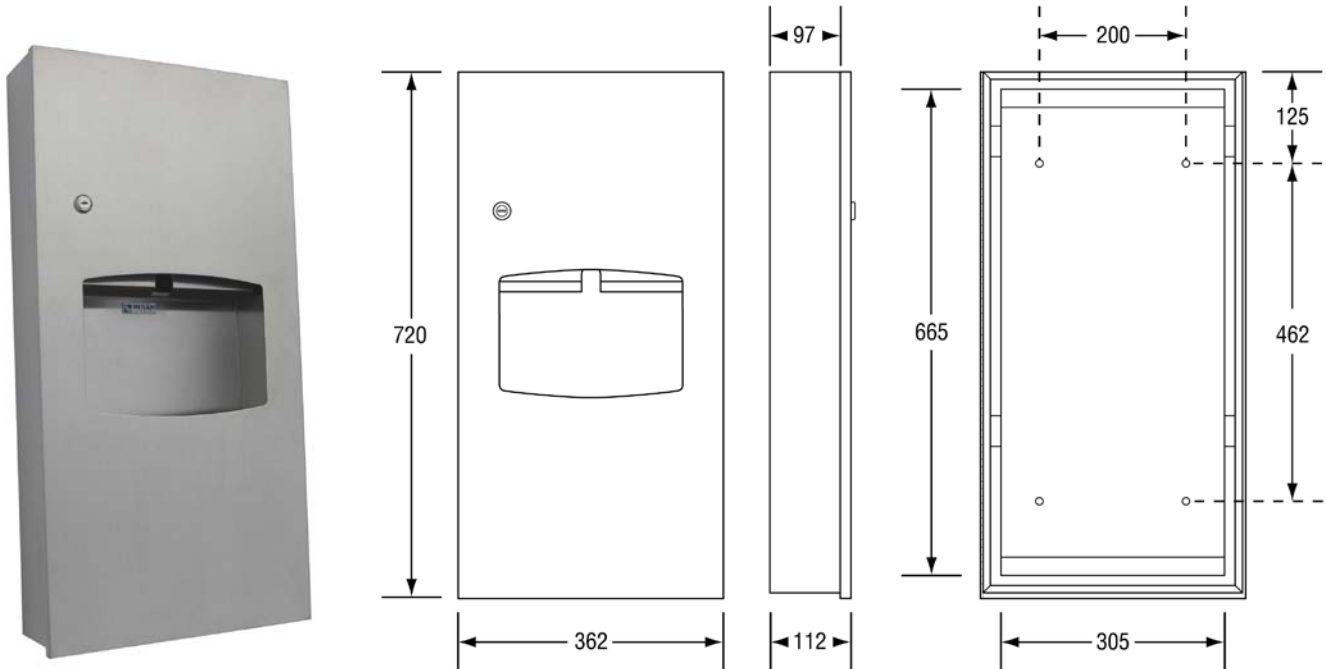


MATERIAL SPECIFICATION & INSTALLATION GUIDE

PRODUCT ITEM CODE & DESCRIPTION

ML 710 SM ~ SURFACE MOUNTED PAPER TOWEL DISPENSER & WASTE RECEPTACLE



MATERIAL SPECIFICATIONS & FEATURES:

#304 Grade Stainless Steel - #3 Finish / One Piece Lockable Door with Rolled Edges, Welded and Polished Corners & Secured to Cabinet by One Piece Multi-point Welded piano hinge / 6.5L Internal Waste Receptacle (Removable) / Paper Dispenser, with Rounded Lip Edge for Safety, Holds/Dispenses either 350 Interleaved or 475 Multi-Fold Paper / Surround Trim has folded edges and welded corners and is supplied pre-fitted for ease of installation

DIMENSIONS:

Overall ~ 362mm W x 720mm H x 112mm D

INSTALLATION GUIDE:

1. May be subject to Australian Building Code Regulations for height/location fixing and/or subject to placement as per architectural drawings, which in all cases is the responsibility of the installer re compliance
2. Using above Mounting Hole Dimensions, *Measure & Mark/Check Twice* then open door of unit and align rear fixing holes over marks and drill holes and fit appropriate fixing anchors for plasterboard / block or concrete cavity fix applications, then position unit and loosely secure using appropriate screws/fasteners

3. Check level and tighten fasteners, then lock with key

NOTE: Paper is not provided

These units should only be installed by a competent tradesperson and Metlam Australia takes no responsibility for any damage to walls or fixtures due to incorrect installation.