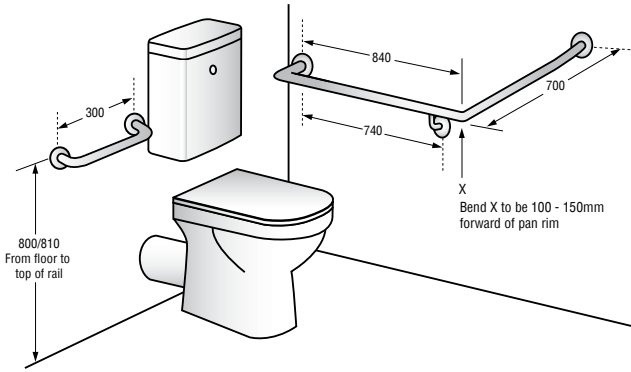




Code MLR 101 & MLR 102 Series

Material #304 Stainless Steel - 32mmØ
Mounting Concealed Fix - 78mmØ Mount
Finish/Specify **MLR 101:** Left Hand - Satin Stainless Steel (Shown)
MLR 102: Right Hand - Satin Stainless Steel
MLR 101 W: Left Hand - White Powder Coat
MLR 102 W: Right Hand - White Powder Coat
Note Includes 300mm Rail



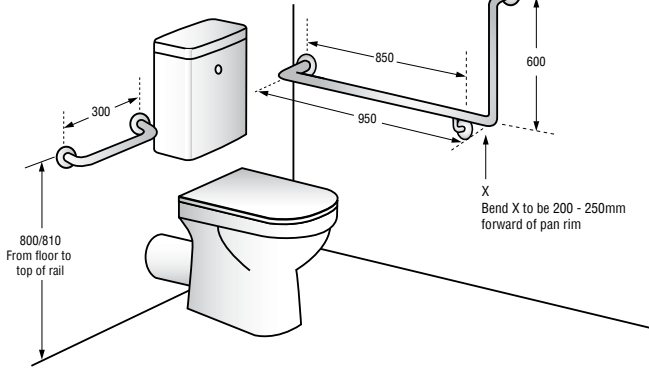
30° Flush Mount Side Wall & Cistern Grab Rail Set



Fully Compliant with AS1428.1

Code MLR 103 & MLR 104 Series

Material #304 Stainless Steel - 32mmØ
Mounting Concealed Fix - 78mmØ Mount
Finish/Specify **MLR 103:** Left Hand - Satin Stainless Steel (Shown)
MLR 104: Right Hand - Satin Stainless Steel
MLR 103 W: Left Hand - White Powder Coat
MLR 104 W: Right Hand - White Powder Coat
Note Includes 300mm Rail



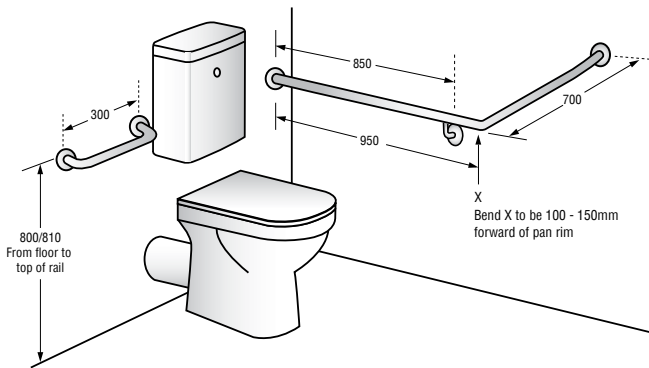
90° Flush Mount Side Wall & Cistern Grab Rail Set



Fully Compliant with AS1428.1

Code MLR 105 & MLR 106 Series

Material #304 Stainless Steel - 32mmØ
Mounting Concealed Fix - 78mmØ Mount
Finish/Specify **MLR 105:** Left Hand - Satin Stainless Steel (Shown)
MLR 106: Right Hand - Satin Stainless Steel
MLR 105 W: Left Hand - White Powder Coat
MLR 106 W: Right Hand - White Powder Coat
Note Includes 300mm Rail



30° Flush Mount Rear/Side Wall & Cistern Grab Rail Set



Fully Compliant with AS1428.1

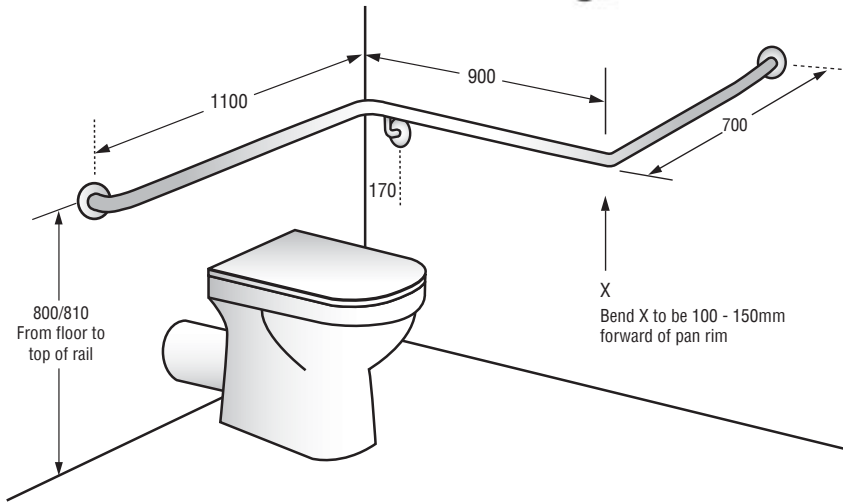
The photographs and line drawings of the products in this catalogue are representational only. Metlam Australia Pty Ltd reserves the right to, and from time to time, make changes and improvements in design and dimensions.



30° Flush Mount Wrap Around Grab Rail

Code MLR 113 & MLR 114 Series

Material #304 Stainless Steel - 32mmØ
Mounting Concealed Fix - 78mmØ Mount
Rail Standoff 60mm
Mounting Point Horizontal @ 170mm Off Wall including Standoff
Finish/Specify **MLR 113:** Left Hand - Satin Stainless Steel (Shown)
MLR 114: Right Hand - Satin Stainless Steel
MLR 113 W: Left Hand - White Powder Coat
MLR 114 W: Right Hand - White Powder Coat

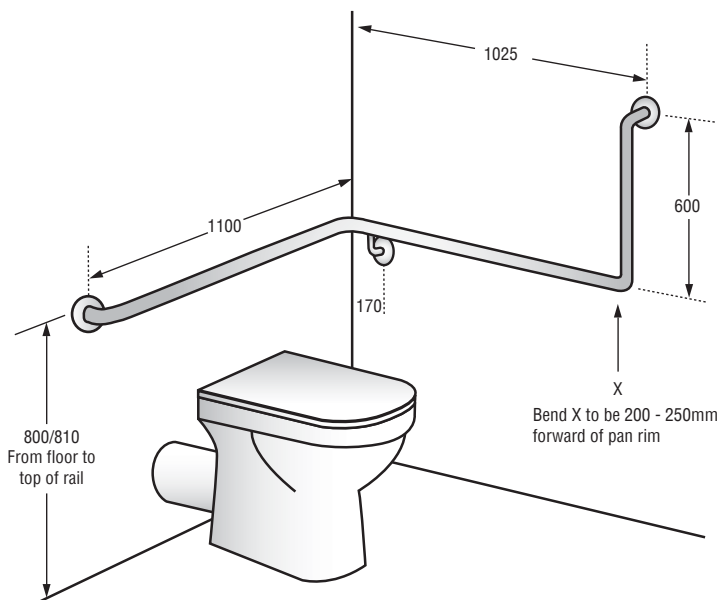


Fully Compliant with AS1428.1

90° Flush Mount Wrap Around Grab Rail

Code MLR 115 & MLR 116 Series

Material #304 Stainless Steel - 32mmØ
Mounting Concealed Fix - 78mmØ Mount
Rail Standoff 60mm
Mounting Point Horizontal @ 170mm Off Wall including Standoff
Finish/Specify **MLR 115:** Left Hand - Satin Stainless Steel (Shown)
MLR 116: Right Hand - Satin Stainless Steel
MLR 115 W: Left Hand - White Powder Coat
MLR 116 W: Right Hand - White Powder Coat

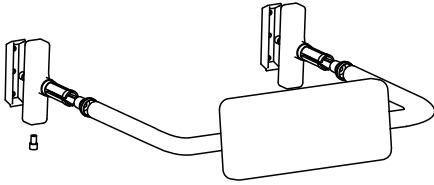


Fully Compliant with AS1428.1



Code MLR 119

Material #304 Satin Stainless Steel Frame & Mounts, White Padded PVC Backrest
Mounting Concealed Fix
Backrest Standoff Adjustable depth to suit installation requirements
Note Installation instructions provided



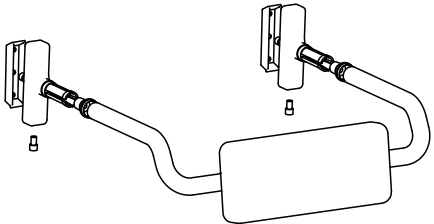
Straight Rail Padded Backrest



Fully Compliant with AS1428.1

Code MLR 119 C

Material #304 Satin Stainless Steel Frame & Mounts, White Padded PVC Backrest
Mounting Concealed Fix
Backrest Standoff Adjustable depth to suit installation requirements
Note Installation instructions provided



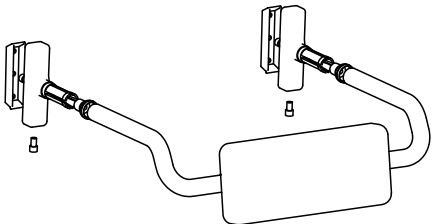
Curved Rail Padded Backrest



Fully Compliant with AS1428.1

Code MLR 119 CVP

Material #304 Satin Stainless Steel Frame & Mounts, #304 Satin Stainless Steel Backrest
Mounting Concealed Fix
Backrest Standoff Adjustable depth to suit installation requirements
Note Installation instructions provided



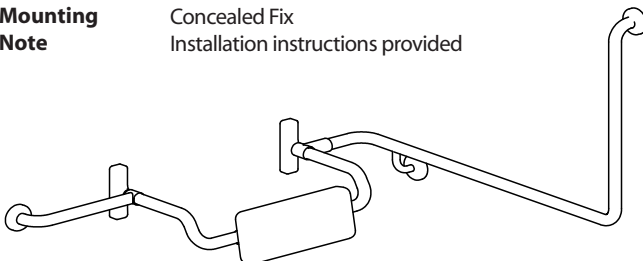
Vandal Proof Curved Backrest



Fully Compliant with AS1428.1

Description 90° Grab Rail & Backrest Sets

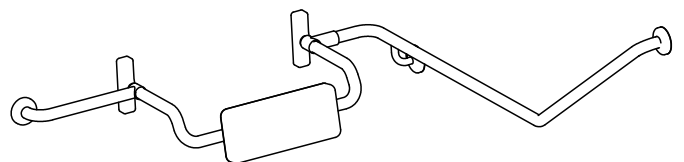
Material #304 Satin Stainless Steel Frame & Mounts
Specify MLR 120 BR RH: Right Hand Set with MLR 119 C
 MLR 120 BR LH: Left Hand Set with MLR 119 C (shown)
 MLR 120 BR VP RH: Right Hand Set with MLR 119 CVP
 MLR 120 BR VP LH: Left Hand Set with MLR 119 CVP
Mounting Concealed Fix
Note Installation instructions provided



Fully Compliant with AS1428.1

Description 40° Grab Rail & Backrest Sets

Material #304 Satin Stainless Steel Frame & Mounts
Specify MLR 121 BR RH: Right Hand Set with MLR 119 C
 MLR 121 BR LH: Left Hand Set with MLR 119 C (shown)
 MLR 121 BR VP RH: Right Hand Set with MLR 119 CVP
 MLR 121 BR VP LH: Left Hand Set with MLR 119 CVP
Mounting Concealed Fix
Features Installation instructions provided



Fully Compliant with AS1428.1

The photographs and line drawings of the products in this catalogue are representational only. Metlam Australia Pty Ltd reserves the right to, and from time to time, make changes and improvements in design and dimensions.



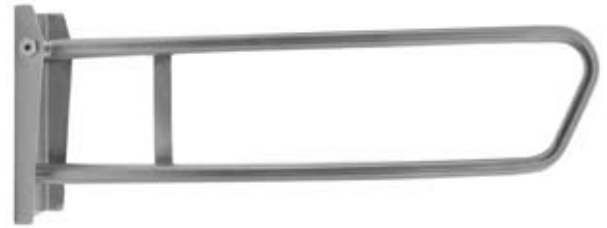
Code MLR 50 & MLR 50 W

Material
 Tubing: #304 Stainless Steel - 32mmØ x 1.2mmT
 Mounting Bracket & Brace: Formed from #304 Stainless Steel x 2.5mmT
Finish/Specify **MLR 50:**Satin Stainless Steel
MLR 50 W:White Powder Coat
 Unit is Seamless Welded & Polished

Features

Dimensions
 Overall: 850mmL x 315mmH
 Grab Rail: 215mmH from outer edge to edge
 Mounting Bracket: 104mmW x 315mmH x 30~50mmD x 2.5mmT
 Mounting Holes: 7 off by 8mmØ
Note Unit stores in upright position

Pull Down Grab Rail



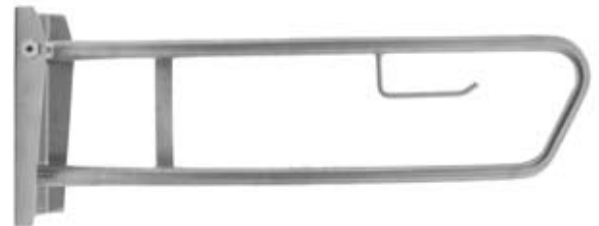
Code MLR 50 TPH & MLR 50 TPH W

Material
 Tubing: #304 Stainless Steel - 32mmØ x 1.2mmT
 Mounting Bracket & Brace: Formed from #304 Stainless Steel x 2.5mmT
 Toilet Roll Holder: 12.5mmØ Stainless Steel Bar
Finish/Specify **MLR 50 TPH:**Satin Stainless Steel
MLR 50 TPH W:White Powder Coat
 Unit is Seamless Welded & Polished

Features

Dimensions
 Overall: 850mmL x 315mmH
 Grab Rail: 215mmH from outer edge to edge
 Toilet Roll Holder: 168mmL with top of Holder 50mm below underside of upper rail
 Mounting Bracket: 104mmW x 315mmH x 30~50mmD x 2.5mmT
 Mounting Holes: 7 off by 8mmØ
Note Unit stores in upright position

Pull Down Grab Rail with Toilet Roll Holder



Code MLR 50 NC Series

Material
 Tubing: #304 Stainless Steel - 32mmØ x 1.2mmT
 Mounting Bracket & Brace,NC Housing: Formed from #304 Stainless Steel x 2.5mmT
 Toilet Roll Holder: 12.5mmØ Stainless Steel Bar
Finish/Specify **MLR 50 NC L:** Left Hand - Satin Stainless Steel
MLR 50 NC R: Right Hand - Satin Stainless Steel (Shown)
MLR 50 NC LW: Left Hand - White Powder Coat
MLR 50 NC RW: Right Hand - White Powder Coat
 Unit is Seamless Welded & Polished

Features

Dimensions
 Overall: 850mmL x 315mmH
 Grab Rail: 215mmH from outer edge to edge
 Mounting Bracket: 104mmW x 315mmH x 30~50mmD x 2.5mmT
 Mounting Holes: 7 off by 8mmØ
Note Units store in upright position
 Nurse Call Button not included

Pull Down Grab Rail with Nurse Call



Code MLR 50 NCTRH Series

Material
 Tubing: #304 Stainless Steel - 32mmØ x 1.2mmT
 Mounting Bracket & Brace,NC Housing: Formed from #304 Stainless Steel x 2.5mmT
 Toilet Roll Holder: 12.5mmØ Stainless Steel Bar
Finish/Specify **MLR 50 NCTRH L:** Left Hand - Satin Stainless Steel (Shown)
MLR 50 NCTRH R: Right Hand - Satin Stainless Steel
MLR 50 NCTRH LW: Left Hand - White Powder Coat
MLR 50 NCTRH RW: Right Hand - White Powder Coat
 Unit is Seamless Welded & Polished

Features

Dimensions
 Overall: 850mmL x 315mmH
 Grab Rail: 215mmH from outer edge to edge
 Toilet Roll Holder: 168mmL with top of Holder 50mm below underside of upper rail
 Mounting Bracket: 104mmW x 315mmH x 30~50mmD x 2.5mmT
 Mounting Holes: 7 off by 8mmØ
Note Units store in upright position
 Nurse Call Button not included

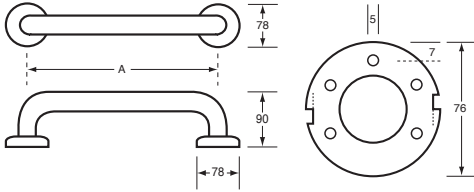
Pull Down Grab Rail with Nurse Call & Toilet Roll Holder





Code ML 327 - ML 337 Series

Material #304 Stainless Steel - 32mmØ
Finish/Specify Satin Stainless Steel
 White Powder Coat (W)
Mounting Concealed Fix - 78mmØ Mount



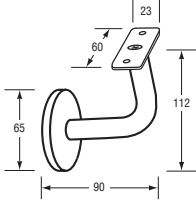
PRODUCT CODE	LENGTH A	DIAMETER
ML 327	300	32
ML 328	350	32
ML 329	400	32
ML 330	450	32
ML 331	600	32
ML 332	750	32
ML 333	900	32
ML 334	1000	32
ML 335	1200	32
ML 336	1500	32
ML 337-18	1800	32
ML 337-21	2100	32
ML 337-24	2400	32

Straight Grab Rail



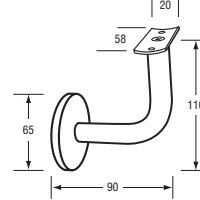
Code ML 385 - Flat Hand Rail Bracket

Material #304 Satin Stainless Steel - 15mmØ
Mounting Concealed Fix - 65mmØ Mount



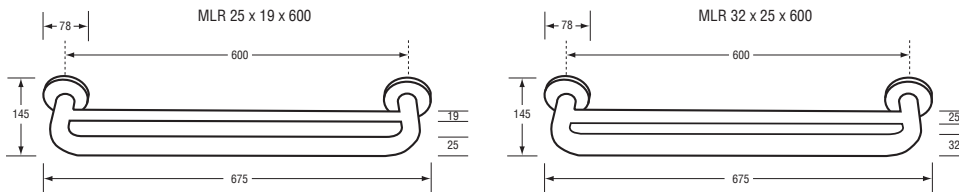
Code ML 386 - Concave Hand Rail Bracket

Material #304 Satin Stainless Steel - 15mmØ
Mounting Concealed Fix - 65mmØ Mount



Code MLR 25 x 19 x 600 & MLR 32 x 25 x 600

Material #304 Satin Stainless Steel
Mounting Concealed Fix - 78mmØ Mount

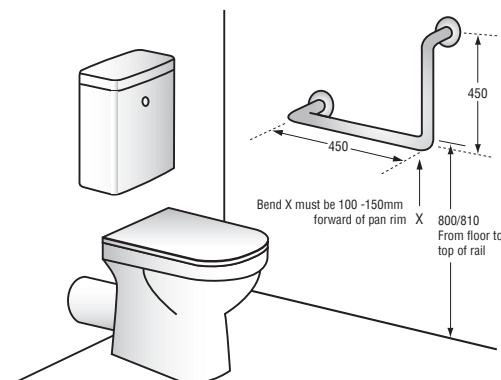


Combined Grab Rail & Towel Rail



Code MLR 112 & MLR 112 W

Material #304 Stainless Steel - 32mmØ
Finish/Specify **MLR 112:** Satin Stainless Steel
MLR 112 W: White Powder Coat
Mounting Concealed Fix - 78mmØ Mount
Note Suits Right Hand or Left Hand installation



90° Ambulant Grab Rail

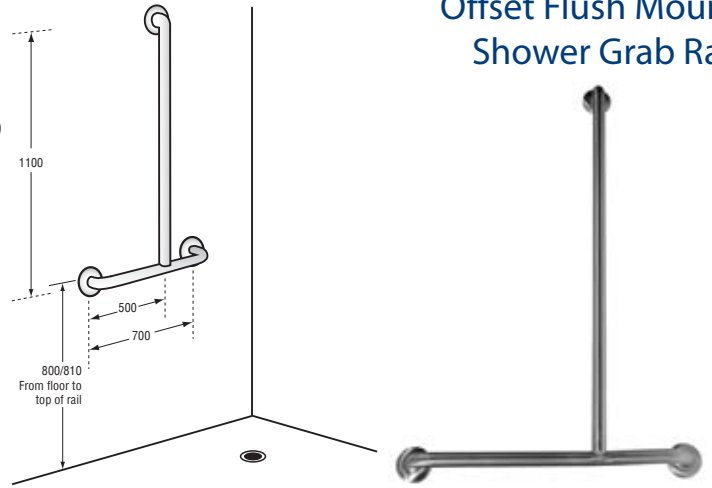


Note: Products depicted on this page may be subject to Building Code of Australia, local Council or other Regulatory Authority requirements with regard to location and height of installation, and is the responsibility of the specifier/installer to determine compliance if applicable. The photographs and line drawings of the products in this catalogue are representational only. Metlam Australia Pty Ltd reserves the right to, and from time to time, make changes and improvements in design and dimensions.



Code **MLR 107 & MLR 108 Series**

Material #304 Stainless Steel - 32mmØ
Mounting Concealed Fix - 78mmØ Mount
Finish/Specify **MLR 107:** Left Hand - Satin Stainless Steel
MLR 108: Right Hand - Satin Stainless Steel (Shown)
MLR 107 W: Left Hand - White Powder Coat
MLR 108 W: Right Hand - White Powder Coat



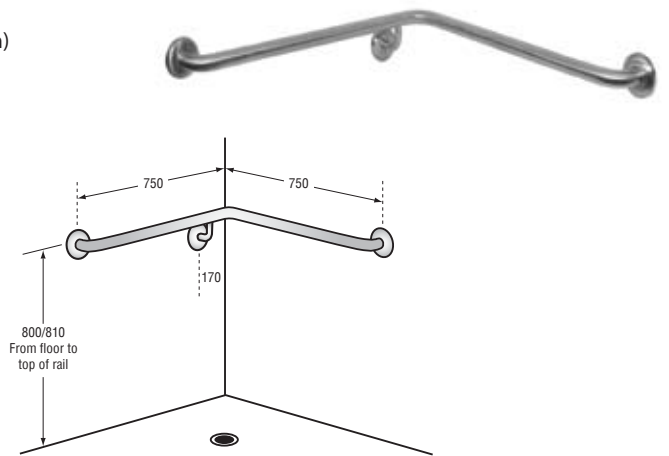
Offset Flush Mount Shower Grab Rail

Fully Compliant with AS1428.1

Code **MLR 109 & MLR 110 Series**

Material #304 Stainless Steel - 32mmØ
Mounting Concealed Fix - 78mmØ Mount
Finish/Specify **MLR 109:** Left Hand - Satin Stainless Steel
MLR 110: Right Hand - Satin Stainless Steel (Shown)
MLR 109 W: Left Hand - White Powder Coat
MLR 110 W: Right Hand - White Powder Coat

Corner Wall Flush Mount Shower Grab Rail



Code **ML 22-6504**

Material Chrome/Black Hand Shower
 Black 2000mm High Pressure Hose
 Chrome Elbow & Grey/Chrome Grab Rail Slider

32mm Grab Rail Shower Kits

Code **ML 22-6511**

Material White Hand Shower
 White 2000mm High Pressure Hose
 White Elbow & White Grab Rail Slider

Code **ML 22-6566**

Material Chrome/Black Hand Shower
 Chrome 2000mm High Pressure Hose
 Chrome Elbow & Grey/Chrome Grab Rail Slider



ML 22-6504

Other Specifications

Shower Heads have MAXIMUM flow rate of 9 Litres per minute
 Kits have Watermark WMKT21090
 Hoses are standard pressure of 150~350Kpa as per AS/NZS 3662.2006
 All components are available as separate items



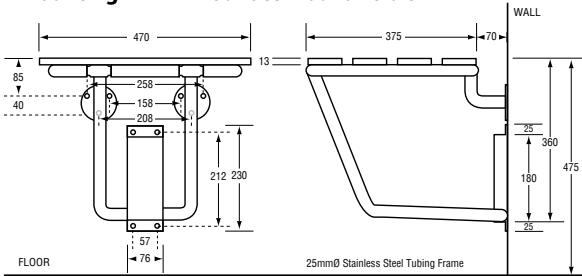
The photographs and line drawings of the products in this catalogue are representational only. Metlam Australia Pty Ltd reserves the right to, and from time to time, make changes and improvements in design and dimensions.



Code ML 990-18

Material #304 Satin Stainless Steel Frame - 25mmØ Tube
13mmT White Compact Laminate Slats with Black Edging

Mounting Surface Mount Visible Fix



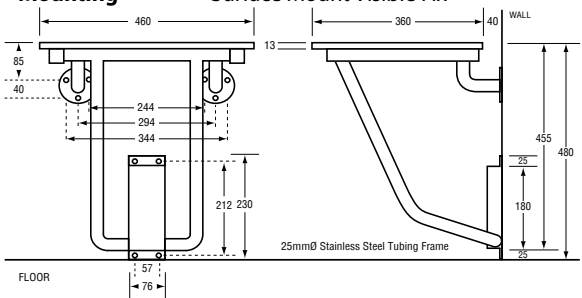
Folding Shower Seat



Code ML 990-19

Material #304 Satin Stainless Steel Frame - 25mmØ Tube
13mmT White Compact Laminate Single Piece Seat with Black Edging & Drainage Slots

Mounting Surface Mount Visible Fix



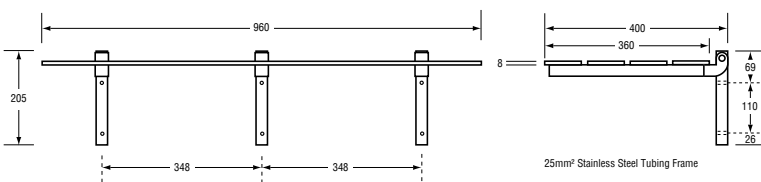
Economy Shower Seat



Code ML 991 CL & ML 991 AS

Material Specify #304 Satin Stainless Steel Frame - 25mm² Tube
ML 991 CL: 13mmT White Compact Laminate Single Piece Seat with Black Edging & Drainage Slots
ML 991 AS: White Powder Coat 8mmT Solid Aluminium Slats

Mounting Features Surface Mount Visible Fix
Low profile upright storage position



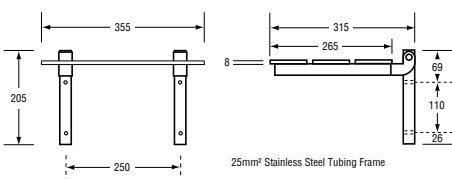
Compact Laminate Sample

Fully Compliant with AS1428.1

Code ML 992 CL & ML 992 AS

Material Specify #304 Satin Stainless Steel Frame - 25mm² Tube
ML 992 CL: 13mmT White Compact Laminate Single Piece Seat with Black Edging & Drainage Slots
ML 992 AS: White Powder Coat 8mmT Solid Aluminium Slats

Mounting Features Surface Mount Visible Fix
Low profile upright storage position



Fold Away Shower Seat



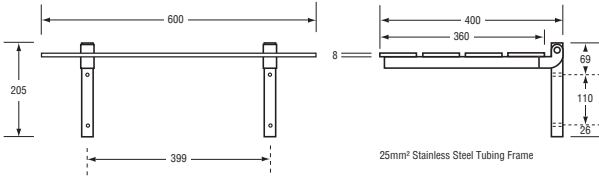
Compact Laminate Sample

The photographs and line drawings of the products in this catalogue are representational only. Metlam Australia Pty Ltd reserves the right to, and from time to time, make changes and improvements in design and dimensions.



Code ML 993 CL & ML 993 AS

Material Specify #304 Satin Stainless Steel Frame - 25mm² Tube
ML 993 CL: 13mmT White Compact Laminate Single Piece Seat with Black Edging & Drainage Slots
ML 993 AS: White Powder Coat 8mmT Solid Aluminium Slats
Mounting Features Surface Mount Visible Fix
 Low profile upright storage position

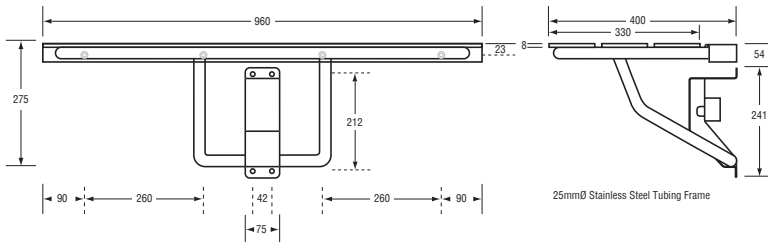


Compact Laminate Sample

Folding Shower Seat

Code ML 994 CL & ML 994 AS

Material Specify #304 Satin Stainless Steel Frame - 25mm \varnothing Tube
ML 994 CL: 13mmT White Compact Laminate Single Piece Seat with Black Edging & Drainage Slots
ML 994 AS: White Powder Coat 8mmT Solid Aluminium Slats & #304 Satin Stainless Steel Rear Mounting/Hinge Bracket - 60mmD
Mounting Features Surface Mount Visible Fix
 Fold away lockable support leg
 Low profile upright storage position



Lock-In Mounting Bracket



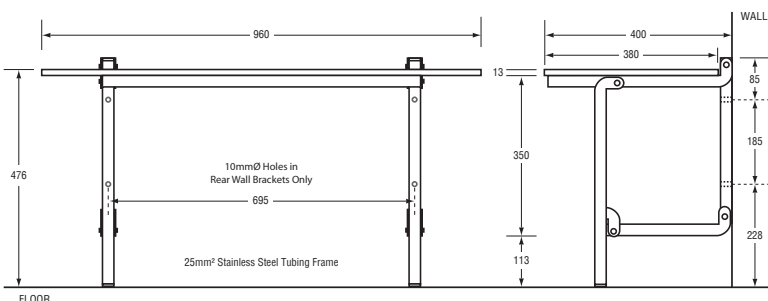
Compact Laminate Sample

Folding Shower Seat

Fully Compliant with AS1428.1

Code ML 995

Material #304 Satin Stainless Steel Frame - 25mm² Tube
 13mmT White Compact Laminate Single Piece Seat with Black Edging & Drainage Slots
Mounting Features Surface Mount Visible Fix
 Fold away support legs
 Low profile upright storage position



Easily folds away for space saving storage

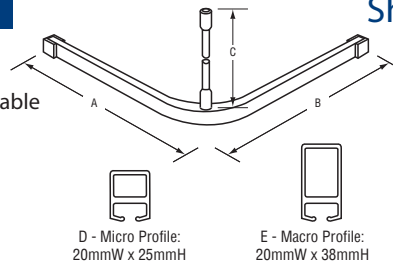
Fully Compliant with AS1428.1

Folding Shower Seat

The photographs and line drawings of the products in this catalogue are representational only. Metlam Australia Pty Ltd reserves the right to, and from time to time, make changes and improvements in design and dimensions.



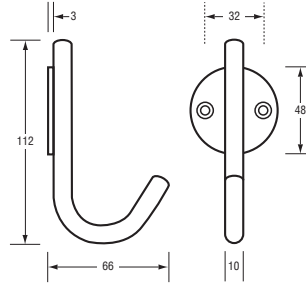
Code	ML CTS Series
Material	Anodised Aluminium
Finish/Specify	Clear Anodised Aluminium White & Other Powder Coat Colours available
Size/Specify	Measurements: A, B & C (refer diagram) Profile: D or E (refer diagrams)
Mounting Components	Concealed Screw Fix Track, Ceiling Suspension Rod, Hooks & Wall Mount Brackets
Note	Shower/Bed Curtains also available



Shower/Bed Curtain System



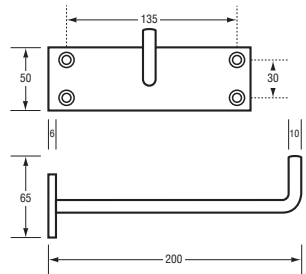
Code	ML 4156
Material	#304 Stainless Steel
Finish	Satin Stainless Steel
Mounting	Visible Screw Fix



Catheter/IV Hook



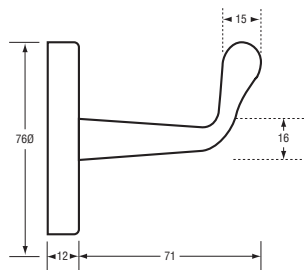
Code	ML 4155
Material	#304 Stainless Steel
Finish	Satin Stainless Steel
Mounting	Visible Screw Fix



Equipment Hook



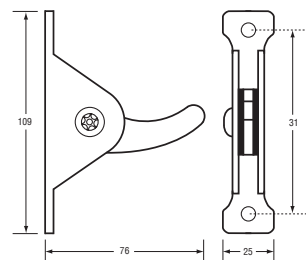
Code	ML 216 S & ML 216 B
Material	#304 Stainless Steel
Finish/Specify	ML 216 S: Satin Stainless Steel ML 216 B: Polished Stainless Steel
Mounting	Concealed Screw Fix



Heavy Duty Coat Hook



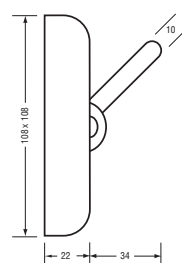
Code	ML 2117
Material	#304 Stainless Steel
Finish	Satin Stainless Steel
Mounting	Visible Screw Fix
Features	Nominal 12kg Load Capacity



Collapsible Coat Hook



Code	ML 2122 & ML 2123
Material	#304 Stainless Steel
Finish	Satin Stainless Steel
Mounting/Specify	ML 2122: Concealed Screw Fix ML 2123: Visible Screw Fix
Features	Nominal 12kg Load Capacity (NATA Laboratory Tested)



Collapsible Coat Hook

