



Code ML 73 N 1

- Material** #304 Satin Stainless Steel
- Features** Unit fitted with two tumbler locks (keyed alike)
Doors fitted with full length piano hinges
Seamless welds and rolled edges
- Dispenser Options** 300 Interfold paper towels
500 Interleaved paper towels
- Hand Dryer** HK 2400 SAR Auto Hand Dryer (Refer Section 3 - 06)
5 Year Warranty
- Disposal** 26L Removable Stainless Steel waste container
- Overall Size** 330mmW x 1660mmH x 185mmD
- Wall Opening** 290mmW x 1620mmH x 175mmD

Specify ML 73 N 1 - Recessed

As above (Shown)

Specify ML 73 N 1 SR - Semi Recessed

Same as above except Semi Recessed
Supplied with Fitted Surround (not shown)

Projection

85mm Off Wall

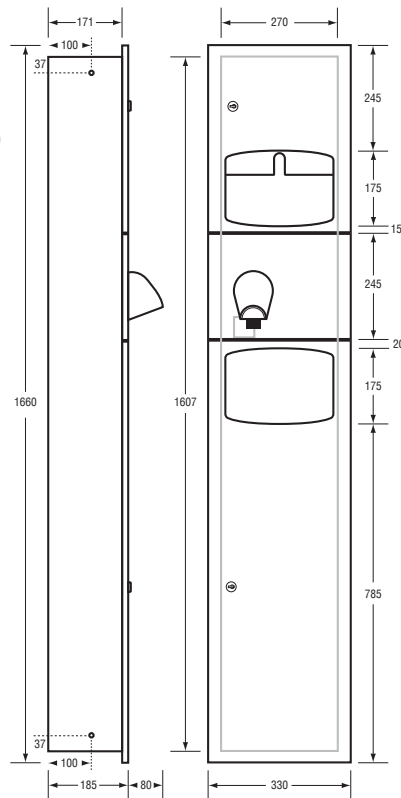
Specify ML 73 N 1 SM - Surface Mount

Same as above except Surface Mount
Supplied with Fitted Surround (not shown)

Overall Size

330mmW x 1660mmH x 190mmD

Paper Towel Dispenser, Hand Dryer & Waste Receptacle



Code ML 73 N 1 D

- Material** #304 Satin Stainless Steel
- Features** Unit fitted with two tumbler locks (keyed alike)
Doors fitted with full length piano hinges
Seamless welds and rolled edges
- Dispenser Options** 300 Interfold paper towels
500 Interleaved paper towels
- Hand Dryer** HK 2400 SAR Auto Hand Dryer (Refer Section 3 - 06)
5 Year Warranty
- Disposal** 10L Removable Stainless Steel waste container
- Internal Storage** Single full width shelf
- Overall Size** 330mmW x 1660mmH x 185mmD
- Wall Opening** 290mmW x 1620mmH x 175mmD
(Bottom of Wall Opening - 100mm off floor)

Specify ML 73 N 1 D REC - Recessed

As above (as shown)

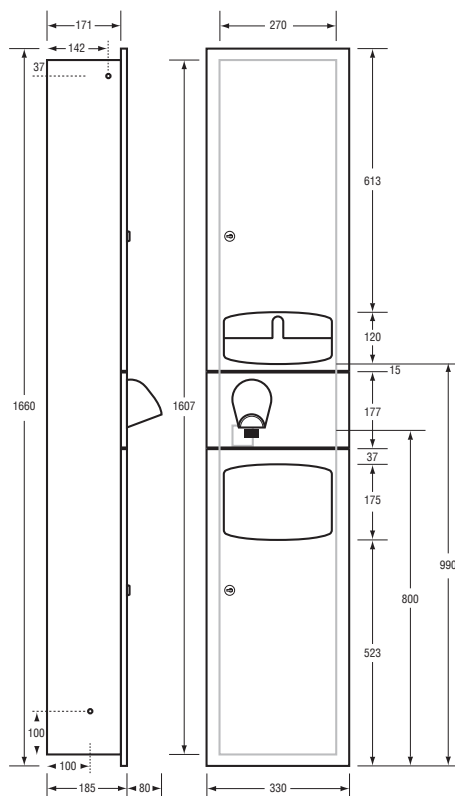
Specify ML 73 N 1 D SM - Surface Mount

Same as above except Surface Mount
Supplied with Fitted Surround (not shown)

Overall Size

330mmW x 1660mmH x 190mmD

Disabled Paper Towel Dispenser, Hand Dryer & Waste Receptacle

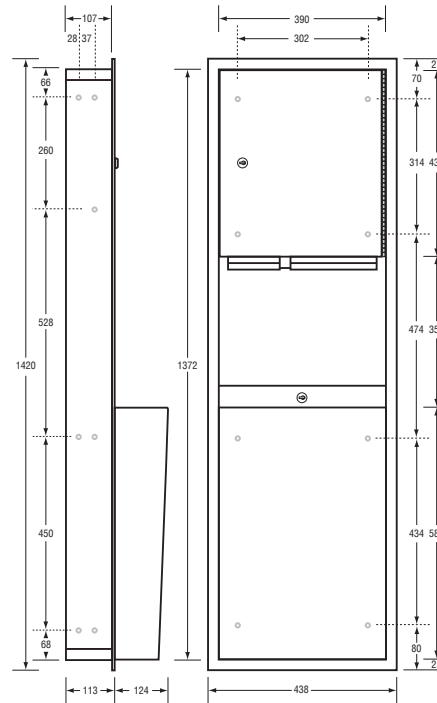


The photographs and line drawings of the products in this catalogue are representational only. Metlam Australia Pty Ltd reserves the right to, and from time to time, make changes and improvements in design and dimensions.

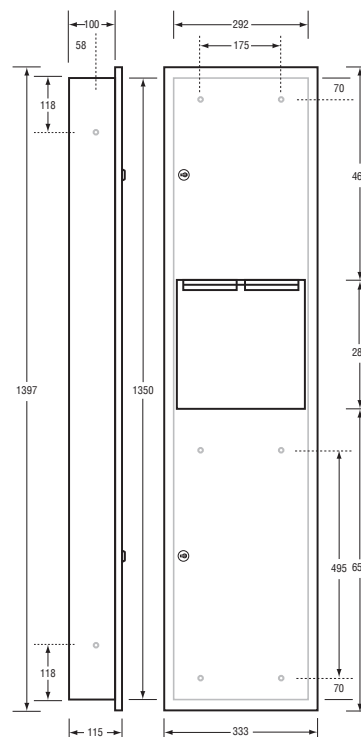


Paper Towel Dispenser & Waste Receptacle

Code	ML 705 & ML 705 SM
Material	#304 Satin Stainless Steel
Features	Unit fitted with two tumbler locks (keyed alike) Door fitted with full length piano hinge Seamless welds and rolled edges Waste container is locked into cabinet
Dispenser Options	600 C-fold paper towels 800 Multi-fold paper towels
Disposal	49L Removable Stainless Steel waste container
Overall Size	438mmW x 1420mmH x 237mmD
Wall Opening	400mmW x 1390mmH x 110mmD
Specify	ML 705 - Recessed As above (as shown)
Specify	ML 705 SM - Surface Mounted Same as above except surface mounted Supplied with Fitted Surround (not shown)
Overall Size	438mmW x 1420mmH x 240mmD



Code	ML 706 & ML 706 SM
Material	#304 Satin Stainless Steel
Features	Unit fitted with two tumbler locks (keyed alike) Door fitted with piano hinges Seamless welds and rolled edges
Dispenser Options	600 C-fold paper towels 800 Multi-fold paper towels
Disposal	19L Removable Stainless Steel waste container
Overall Size	333mmW x 1397mmH x 115mmD
Wall Opening	300mmW x 1365mmH x 108mmD
Specify	ML 706 - Recessed As above (shown)
Specify	ML 706 SM - Surface Mounted Same as above except surface mounted Supplied with Fitted Surround (not shown)
Overall Size	333mmW x 1397mmH x 120mmD



Paper Towel Dispenser & Waste Receptacle



Code	ML 707 & ML 707 SM
Details	Same as ML 706 except increased to 155mmD for larger capacity waste receptacle (not shown)
Disposal	22L Removable Stainless Steel waste container
Overall Size	333mmW x 1397mmH x 155mmD
Wall Opening	300mmW x 1365mmH x 160mmD
Specify	ML 707 - Recessed As above (not shown)
Specify	ML 707 SM - Surface Mounted Same as above except surface mounted Supplied with Fitted Surround (not shown)
Overall Size	333mmW x 1397mmH x 160mmD

The photographs and line drawings in this catalogue are representational only. Metlam Australia Pty Ltd reserves the right to, and from time to time, make changes and improvements in design and dimensions.



Paper Towel Dispenser & Waste Receptacle

Code ML 710 & ML 710 SM

Material #304 Satin Stainless Steel
Features Unit fitted with security lock
 Door fitted with full length piano hinge
 Seamless welds and rolled edges
 Waste container is locked into cabinet

Dispenser Options 350 C-fold paper towels
 475 Multi-fold paper towels

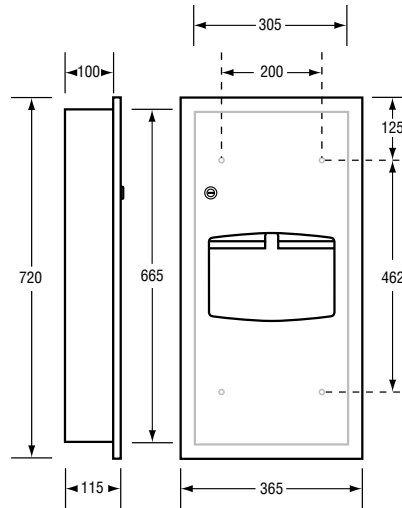
Disposal 6.5L Removable Stainless Steel waste container

Overall Size 365mmW x 720mmH x 115mmD
Wall Opening 325mmW x 685mmH x 105mmD

Specify **ML 710 - Recessed**
 As above (as shown)

Specify **ML 710 SM - Surface Mounted**
 Same as above except surface mounted
 Supplied with Fitted Surround (not shown)

Overall Size 365mmW x 720mmH x 115mmD



Code ML 710 R & ML 710 RSM

Material #304 Satin Stainless Steel
Features Unit fitted with security lock
 Door fitted with full length piano hinge
 Seamless welds and rolled edges
 Waste container is locked into cabinet

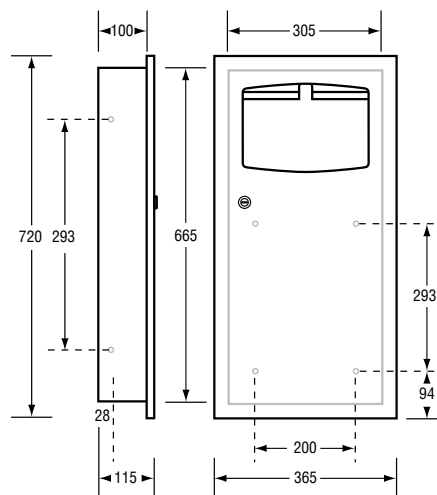
Disposal 9.0L Removable Stainless Steel waste container

Overall Size 365mmW x 720mmH x 115mmD
Wall Opening 325mmW x 685mmH x 105mmD

Specify **ML 710 R - Recessed**
 As above (as shown)

Specify **ML 710 RSM - Surface Mounted**
 Same as above except surface mounted
 Supplied with Fitted Surround (not shown)

Overall Size 365mmW x 720mmH x 115mmD

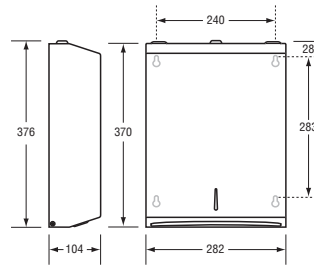


Waste Receptacle





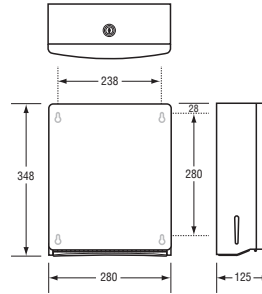
Code	ML 725 SS & ML 725 W
Material	ML 725 SS: #304 Stainless Steel (Shown) ML 725 W: Cold Rolled Steel
Finish/Specify	ML 725 SS: Satin Stainless Steel ML 725 W: White Powder Coat
Mounting Features	Surface Mount Concealed Fix Unit fitted with tumbler lock Front View Paper Indicator
Dispenser Options	450 C-fold paper towels 600 Multi-fold paper towels



Paper Towel Dispenser



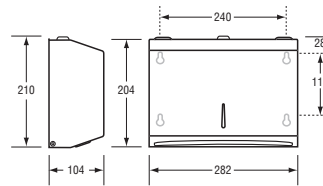
Code	ML 725 AR
Material	#304 Stainless Steel
Finish	Satin Stainless Steel
Mounting Features	Surface Mount Concealed Fix Unit fitted with tumbler lock Side View Paper Indicator Rounded Fascia
Dispenser Options	450 C-fold paper towels 600 Multi-fold paper towels



Ellipse Paper Towel Dispenser



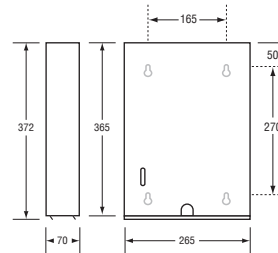
Code	ML 726 SS & ML 726 W
Material	ML 726 SS: #304 Stainless Steel (Shown) ML 726 W: Cold Rolled Steel
Finish/Specify	ML 726 SS: Satin Stainless Steel ML 726 W: White Powder Coat
Mounting Features	Surface Mount Concealed Fix Unit fitted with tumbler lock Front View Paper Indicator
Dispenser Options	250 C-fold paper towels 300 Multi-fold paper towels



Paper Towel Dispenser



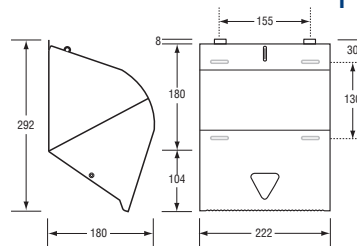
Code	ML 727 SS & ML 727 W
Material	ML 727 SS: #304 Stainless Steel (Shown) ML 727 W: Cold Rolled Steel
Finish/Specify	ML 727 SS: Satin Stainless Steel ML 727 W: White Powder Coat
Mounting Features	Surface Mount Concealed Fix Unit fitted with tumbler lock Front View Paper Indicator
Dispenser	300 Interleaved ultra slim paper towels



Paper Towel Dispenser



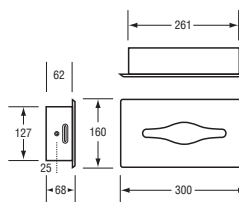
Code	ML 4093 SS & ML 4093 W
Material	ML 4093 SS: #304 Stainless Steel (Shown) ML 4093 W: Cold Rolled Steel
Finish/Specify	ML 4093 SS: Satin Stainless Steel ML 4093 W: White Powder Coat
Mounting Features Capacity	Surface Mount Concealed Fix Front View Paper Indicator Suits standard size commercial roll towels up to 190mm Wide x 90m Long



Paper Towel Roll Dispenser



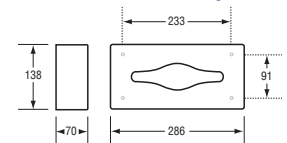
Code	ML 275 S & ML 275 BSM
Material	#304 Stainless Steel
Finish	Polished Stainless Steel
Mounting Features	Surface Mount Concealed Fix Dispenses Facial Tissues or Hygienic Gloves Polished smooth edges
Capacity	Facial Tissues: 300 single ply or 150 double ply Gloves: Subject to supplier availability
Specify	ML 275 S: Recessed ML 275 BSM: Surface Mount
Wall Opening	ML 275 S: 267mmW x 133mmH x 64mmD



Multi Function Dispenser



ML 275 S



ML 275 BSM

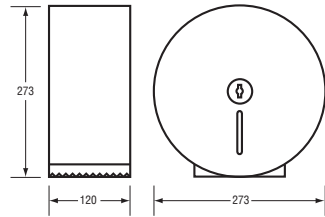


The photographs and line drawings of the products in this catalogue are representational only. Metlam Australia Pty Ltd reserves the right to, and from time to time, make changes and improvements in design and dimensions.



Code ML 841

Material #304 Stainless Steel
Finish Satin Stainless Steel
Mounting Surface Mount Concealed Fix
Features Unit fitted with security lock
Capacity Standard Roll up to 108mm Wide Sheet x 300m Long

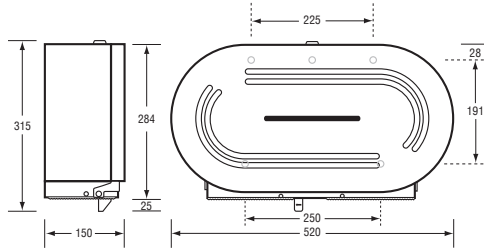


Jumbo Toilet Roll Dispenser



Code ML 841 DBL

Material #304 Stainless Steel
Finish Satin Stainless Steel
Mounting Surface Mount Concealed Fix
Features Fitted with tumbler lock
Capacity 2 x Standard Rolls up to 108mm Wide Sheet x 300m Long

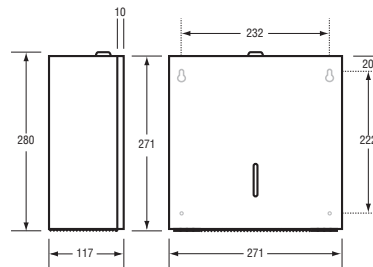


Double Jumbo Toilet Roll Dispenser



Code ML 842

Material #304 Stainless Steel
Finish Satin Stainless Steel
Mounting Surface Mount Concealed Fix
Features Unit fitted with tumbler lock
Capacity Standard Roll up to 108mm Wide Sheet x 300m Long

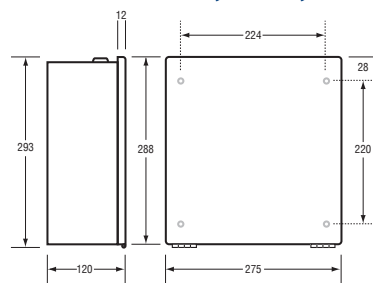


Jumbo Toilet Roll Dispenser



Code ML 843

Material Cold Rolled Steel, 3.0mm Thick
Finish Grey Powder Coat
Mounting Surface Mount Concealed Fix
Features Unit fitted with tumbler lock
Security Mounting Integrated paper roll holder
 Swing down hinged front panel
 Concealed Mount internal fixing security flanges help eliminate ingress/retention of foreign materials
Capacity Standard Roll up to 108mm Wide Sheet x 300m Long

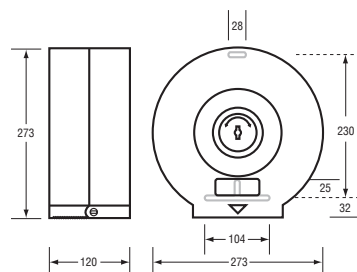


Heavy Duty Jumbo Toilet Roll Dispenser



Code ML 862

Material Heavy Duty ABS
Finish White Cover Plate with Grey Holder
Mounting Surface Mount Concealed Fix
Features Unit fitted with security lock
Capacity Standard Roll up to 108mm Wide Sheet x 300m Long



Jumbo Toilet Roll Dispenser



The photographs and line drawings of the products in this catalogue are representational only. Metlam Australia Pty Ltd reserves the right to, and from time to time, make changes and improvements in design and dimensions.

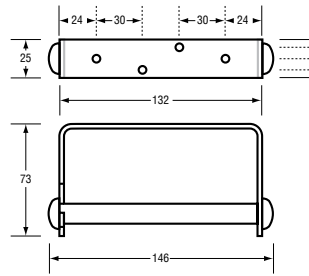


Code ML 113 & ML 513

Material ML 113: #304 Stainless Steel
ML 513: Aluminium

Finish/Specify ML 113: Satin Stainless Steel
ML 513: Brushed Aluminium

Mounting Capacity Surface Mount Visible Fix
Holds one standard toilet roll



Single Toilet Roll Holder

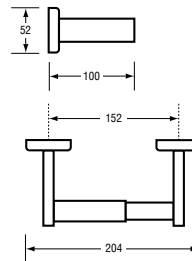


Code ML 255 S & ML 255 B

Material #304 Stainless Steel Mounts,
Chrome Plated ABS Roller

Finish/Specify ML 255 S: Satin Stainless Steel (Shown)
ML 255 B: Polished Stainless Steel

Mounting Capacity Surface Mount Concealed Fix
Holds one standard toilet roll



Single Toilet Roll Holder

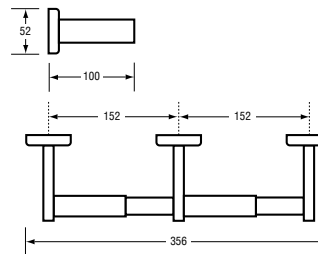


Code ML 256 S & ML 256 B

Material #304 Stainless Steel Mounts,
Chrome Plated ABS Rollers

Finish/Specify ML 256 S: Satin Stainless Steel (Shown)
ML 256 B: Polished Stainless Steel

Mounting Capacity Surface Mount Concealed Fix
Holds two standard toilet rolls



Double Toilet Roll Holder



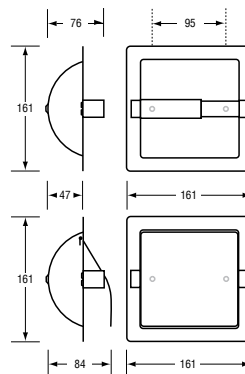
Code ML 260 & ML 261 Series

Material #304 Stainless Steel Body, 0.8mm Thickness
Chrome Plated Die Cast Zamak Brackets &
Chrome Plated ABS Roller

Finish/Specify ML 260 S: Satin SS Without Hood (Shown)
ML 260 B: Polished SS Without Hood
ML 261 S: Satin SS With Hood
ML 261 B: Polished SS With Hood

Mounting Capacity Recess Mount Visible Fix
Holds one standard toilet roll

Wall Opening 140mmW x 140mmH x 51mmD



Recessed Single Toilet Roll Holder

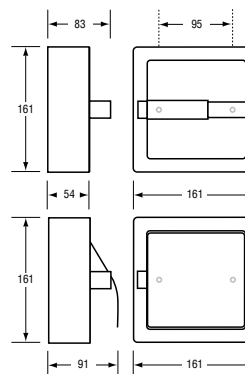


Code ML 260 SM & ML 261 SM Series

Material #304 Stainless Steel Body, 0.8mm Thickness
Chrome Plated Die Cast Zamak Brackets &
Chrome Plated ABS Roller

Finish/Specify ML 260 SM S: Satin SS Without Hood
ML 260 SM B: Polished SS Without Hood
ML 261 SM S: Satin SS With Hood (Shown)
ML 261 SM B: Polished SS With Hood

Mounting Capacity Surface Mount Visible Fix
Holds one standard toilet roll

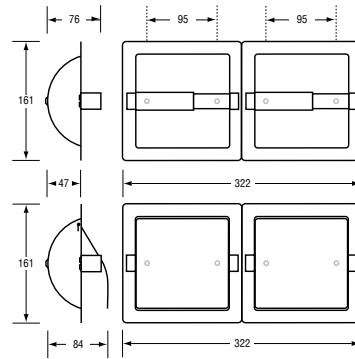


Single Toilet Roll Holder





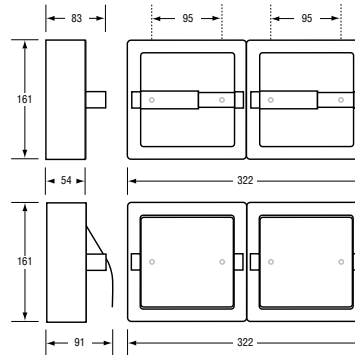
Code	ML 262 & ML 263 Series
Material	#304 Stainless Steel Body, 0.8mm Thickness Chrome Plated Die Cast Zamak Brackets & Chrome Plated ABS Roller
Finish/Specify	ML 262 S: Satin SS Without Hood (Shown) ML 262 B: Polished SS Without Hood ML 263 S: Satin SS With Hood ML 263 B: Polished SS With Hood
Mounting	Recess Mount Visible Fix
Capacity	Holds two standard toilet rolls
Wall Opening	299mmW x 140mmH x 51mmD



Recessed Double Toilet Roll Holder



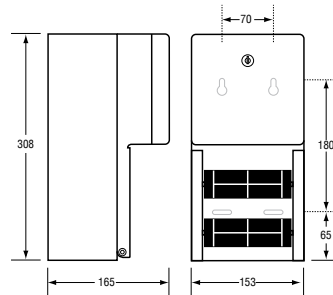
Code	ML 262 SM & ML 263 SM Series
Material	#304 Stainless Steel Body, 0.8mm Thickness Chrome Plated Die Cast Zamak Brackets & Chrome Plated ABS Roller
Finish/Specify	ML 262 SM S: Satin SS Without Hood ML 262 SM B: Polished SS Without Hood ML 263 SM S: Satin SS With Hood (Shown) ML 263 SM B: Polished SS With Hood
Mounting	Surface Mount Visible Fix
Capacity	Holds two standard toilet rolls



Double Toilet Roll Holder



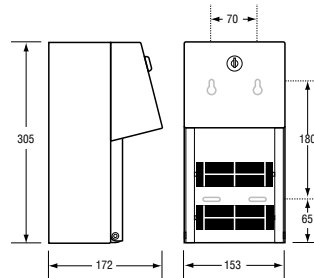
Code	ML 800 AR
Material	#304 Stainless Steel cabinet & mechanism Plastic rollers
Finish	Satin Stainless Steel
Mounting	Surface Mount Semi Concealed Fix
Capacity	Dispenses/Holds two rolls up to 135mmØ
Features	Top roll drops automatically after bottom roll is used up Unit fitted with tumbler lock Rounded fascia



Ellipse Double Toilet Roll Dispenser



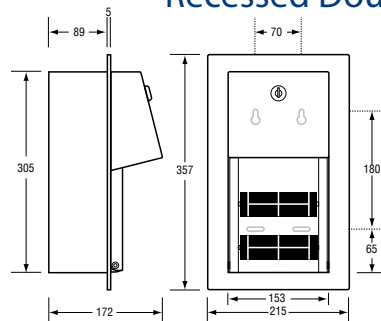
Code	ML 800
Material	#304 Stainless Steel cabinet & mechanism Plastic rollers
Finish	Satin Stainless Steel
Mounting	Surface Mount Semi Concealed Fix
Capacity	Dispenses/Holds two rolls up to 135mmØ
Features	Top roll drops automatically after bottom roll is used up Unit fitted with tumbler lock



Double Toilet Roll Dispenser



Code	ML 801
Material	#304 Stainless Steel cabinet & mechanism
Finish	Satin Stainless Steel
Mounting	Recess Mount Semi Concealed Fix
Capacity	Dispenses/Holds two rolls up to 135mmØ
Features	Top roll drops automatically after bottom roll is used up Flange provided for Recess Mounting Unit fitted with tumbler lock
Wall Opening	159mmW x 311mmH x 92mmD



Recessed Double Toilet Roll Dispenser

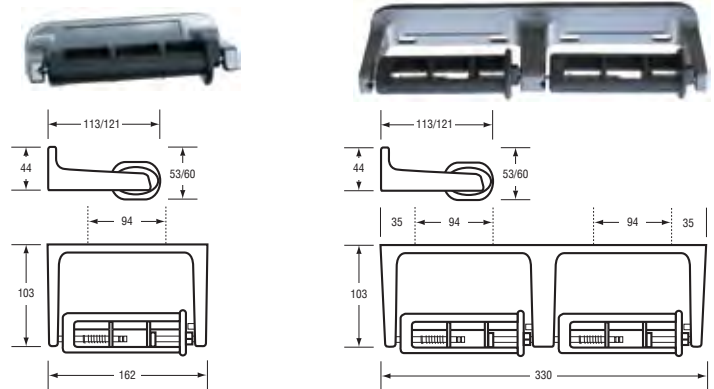


The photographs and line drawings of the products in this catalogue are representational only. Metlam Australia Pty Ltd reserves the right to, and from time to time, make changes and improvements in design and dimensions.



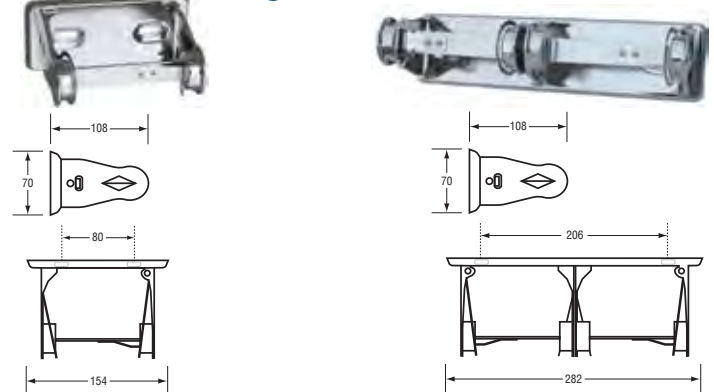
Code	ML 820 & ML 825
Material	Enamel Baked Aluminium Single Mould ABS Holder with Stainless Steel Pins & Spring
Finish	Grey Enamel Frame with Grey Holder
Mounting	Surface Mount Visible Fix
Capacity/Specify	ML 820: Holds one standard toilet roll ML 825: Holds two standard toilet rolls
Features	Restricted Feed Tamper Resistant Holder

Single & Double Toilet Roll Holders



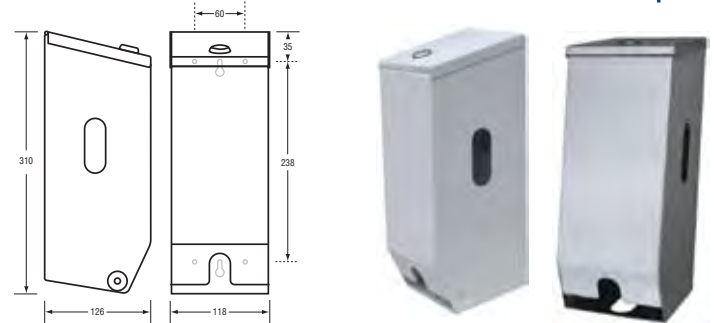
Code	ML 837 & ML 838
Material	Chrome Plated Steel
Finish	Bright Chrome
Mounting	Surface Mount Visible Fix
Capacity/Specify	ML 837: Holds one standard toilet roll ML 838: Holds two standard toilet rolls
Features	Tension Spring Controlled Paper Discharge Tamper Resistant Locking Mechanism

Single & Double Toilet Roll Holders



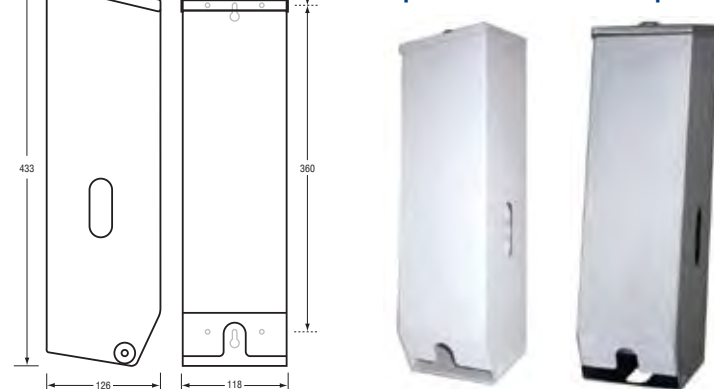
Code	ML 832 SS & ML 832 W
Material	ML 832 SS: #304 Stainless Steel Cabinet and Spring Clip ML 832 W: Cold Rolled Steel Cabinet and Spring Clip
Finish/Specify	ML 832 SS: Satin Stainless Steel ML 832 W: White Powder Coat
Mounting	Surface Mount Concealed Fix
Capacity	Dispenses/Holds two rolls up to 135mmØ
Features	Replacement roll held in place by internal Spring Clip and is drawn down through side slots after bottom roll is used and core removed Unit fitted with tumbler lock

Double Toilet Roll Dispenser



Code	ML 833 SS & ML 833 W
Material	ML 833 SS: #304 Stainless Steel Cabinet and Spring Clip ML 833 W: Cold Rolled Steel Cabinet and Spring Clip
Finish/Specify	ML 833 SS: Satin Stainless Steel ML 833 W: White Powder Coat
Mounting	Surface Mount Concealed Fix
Capacity	Dispenses/Holds three rolls up to 135mmØ
Features	Replacement roll held in place by internal Spring Clip and is drawn down through side slots after bottom roll is used and core removed Unit fitted with tumbler lock

Triple Toilet Roll Dispenser

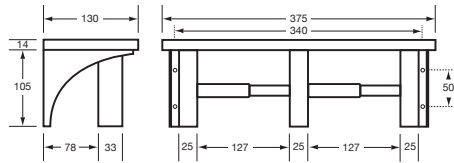


The photographs and line drawings of the products in this catalogue are representational only. Metlam Australia Pty Ltd reserves the right to, and from time to time, make changes and improvements in design and dimensions.



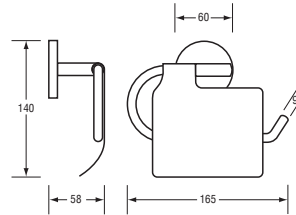
Code	ML 949-375
Material	#304 Stainless Steel, 1.5mm Thick Shelf, ABS Holders & AntiTheft Spindles
Finish	Satin Stainless Steel
Mounting	Surface Mount Visible Fix
Capacity	Holds two standard toilet rolls
Features	Seamless welds and rolled edges Includes AntiTheft Spindles (Refer Section 1 - 38)

Double Toilet Roll Holder & Shelf



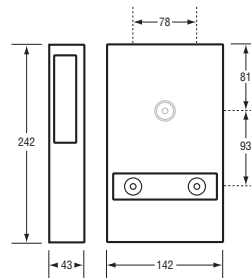
Code	ML 3355 B
Material	Die Cast Zinc
Finish	Bright Chrome
Mounting	Surface Mount Concealed Fix
Capacity	Holds one standard toilet roll

Single Toilet Roll Holder



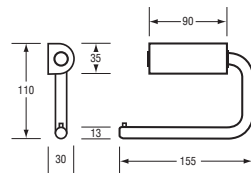
Code	ML 4094 SS & ML 4094 W
Material	ML 4094 SS: #304 Stainless Steel ML 4094 W: Powder Coat Steel
Finish/Specify	ML 4094 SS: Satin Stainless Steel ML 4094 W: White Powder Coat (Shown)
Mounting	Surface Mount Semi Concealed Fix
Capacity	Two standard size Interfold packets

Interfold Toilet Paper Dispenser



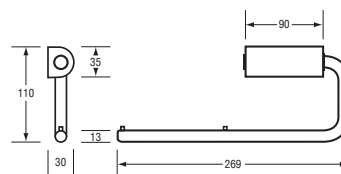
Code	ML 4135
Material	#304 Stainless Steel, 13mmØ Solid Bar
Finish	Satin Stainless Steel
Mounting	Surface Mount Security Concealed Fix
Capacity	Holds one standard toilet roll
Features	Universal Installation - Left or Right Toilet Roll Locator Pin

Single Toilet Roll Holder



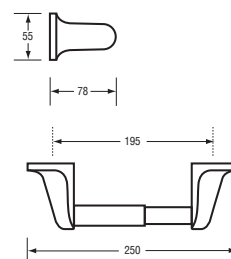
Code	ML 4135-2
Material	#304 Stainless Steel, 13mmØ Solid Bar
Finish	Satin Stainless Steel
Mounting	Surface Mount Security Concealed Fix
Capacity	Holds two standard toilet rolls
Features	Universal Installation - Left or Right Toilet Roll Locator Pins

Double Toilet Roll Holder



Code	ML 5856 CP & ML 5856 W
Material	Die Cast Zinc Mount Brackets, ABS Roller
Finish/Specify	ML 5856 CP: Bright Chrome ML 5856 W: White Powder Coat
Mounting	Surface Mount Concealed Fix (kit included)
Overall Size	250mmW x 55mmH x 78mmD
Capacity	Holds one standard toilet roll

Sturt Single Toilet Roll Holder





Code	ML 6000 PSS
Material	#304 Stainless Steel
Finish	Polished Stainless Steel
Mounting	Surface Mount Concealed Fix - 80mm C to C
Capacity	Holds one standard toilet roll
Overall Size	145mmW x 90mmH x 85mmD
Holder	10mmØ
Standoff	60mm
Note	Use Dress Trim - ML 6044 PSS - for soft wall fixing (Refer Section 1 - 18)

Lawson Single Toilet Roll Holder



Code	ML 6002 PSS & ML 6004 PSS
Material	#304 Stainless Steel Mount, Chrome Plated ABS Roller
Finish	Polished Stainless Steel
Mounting	Surface Mount Concealed Fix - 140mm C to C
Capacity/Specify	ML 6002 PSS: One std roll, ML 6004 PSS: Two std rolls
Overall Size	ML 6002 PSS: 160mmW x 20mmH x 85mmD ML 6004 PSS: 300mmW x 20mmH x 85mmD
Standoff	60mm
Note	Use Dress Trim - ML 6044 PSS - for soft wall fixing (Refer Section 1 - 18)

Lawson Single & Double Toilet Roll Holder



Code	ML 6048 PSS
Material	#304 Stainless Steel
Finish	Polished Stainless Steel
Mounting	Surface Mount Concealed Fix - 80mm C to C
Capacity	Holds one standard toilet roll
Overall Size	145mmW x 90mmH x 85mmD
Holder	10mmØ
Standoff	60mm
Note	Use Dress Trim - ML 6094 PSS - for soft wall fixing (Refer Section 1 - 19)

Paterson Single Toilet Roll Holder



Code	ML 6049 PSS & 6050 PSS
Material	#304 Stainless Steel Mount, Chrome Plated ABS Roller
Finish	Polished Stainless Steel
Mounting	Surface Mount Concealed Fix - 140mm C to C
Capacity/Specify	ML 6049 PSS: Two std rolls, ML 6050 PSS: One std roll
Overall Size	ML 6049 PSS: 300mmW x 20mmH x 85mmD ML 6050 PSS: 160mmW x 20mmH x 85mmD
Standoff	60mm
Note	Use Dress Trim - ML 6094 PSS - for soft wall fixing (Refer Section 1 - 19)

Paterson Double & Single Toilet Roll Holder



Code	ML 6224 & ML 6225
Material	Brass
Finish	Bright Chrome
Mounting	Surface Mount Concealed Fix
Capacity	Holds one standard toilet roll
Overall Size	145mmW x 90mmH x 85mmD
Holder	7mmØ
Standoff	85mm
Specify	ML 6224: With Hood ML 6225: Without Hood

Lachlan Single Toilet Roll Holder



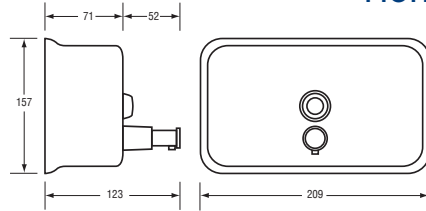
Code	ML 6226
Material	Brass
Finish	Bright Chrome
Mounting	Surface Mount Concealed Fix
Capacity	Holds one standard toilet roll
Overall Size	170mmW x 76mmD - Horizontal
Holder	10mmØ x 135mmL with 17mmØ Cap (3mmD)
Standoff	60mm

Lachlan Single or Spare Toilet Roll Holder





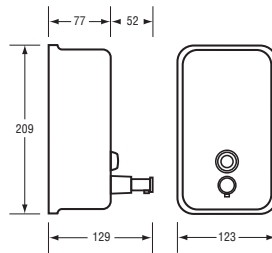
Code	ML 600 & ML 600 W
Material	#304 Stainless Steel, 0.8mm Thick
Finish/Specify	ML 600: Satin Stainless Steel (Shown) ML 600 W: White Powder Coat
Mounting	Surface Mount Concealed Fix
Capacity	1.2L
Features	Pump action soap dispenser valve Impact resistant liquid level indicator Lockable hinged lid (key provided)



Horizontal Soap Dispenser



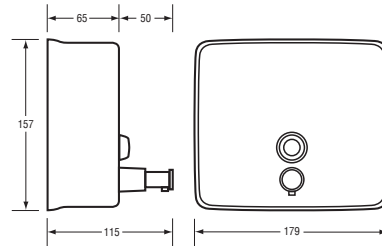
Code	ML 602 AR
Material	#304 Stainless Steel, 0.8mm Thick
Finish	Satin Stainless Steel
Mounting	Surface Mount Concealed Fix
Capacity	1.2L
Features	Pump action soap dispenser valve Impact resistant liquid level indicator Lockable hinged lid (key provided) Rounded fascia



Ellipse Soap Dispenser



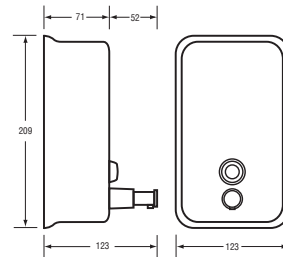
Code	ML 603
Material	#304 Stainless Steel, 0.8mm Thick
Finish	Satin Stainless Steel
Mounting	Surface Mount Concealed Fix
Capacity	1.2L
Features	Pump action soap dispenser valve Impact resistant liquid level indicator Lockable hinged lid (key provided)



Square Soap Dispenser



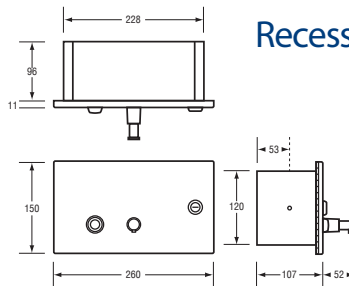
Code	ML 605 & ML 605 W
Material	#304 Stainless Steel, 0.8mm Thick
Finish/Specify	ML 605: Satin Stainless Steel (Shown) ML 605 W: White Powder Coat
Mounting	Surface Mount Concealed Fix
Capacity	1.2L
Features	Pump action soap dispenser valve Impact resistant liquid level indicator Lockable hinged lid (key provided)



Vertical Soap Dispenser



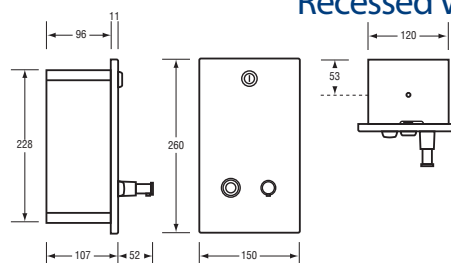
Code	ML 640 AS
Material	#304 Stainless Steel
Finish	Satin Stainless Steel
Mounting	Recess Mount Concealed Fix
Capacity	1.2L
Features	Pump action soap dispenser valve Impact resistant liquid level indicator Unit fitted with tumbler lock
Wall Opening	235mmW x 125mmH x 105mmD



Recessed Horizontal Soap Dispenser



Code	ML 641 AS
Material	#304 Stainless Steel
Finish	Satin Stainless Steel
Mounting	Recess Mount Concealed Fix
Capacity	1.2L
Features	Pump action soap dispenser valve Impact resistant liquid level indicator Unit fitted with tumbler lock
Wall Opening	125mmW x 235mmH x 105mmD



Recessed Vertical Soap Dispenser

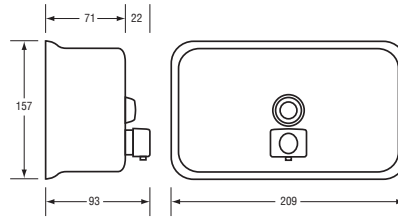


The photographs and line drawings of the products in this catalogue are representational only. Metlam Australia Pty Ltd reserves the right to, and from time to time, make changes and improvements in design and dimensions.



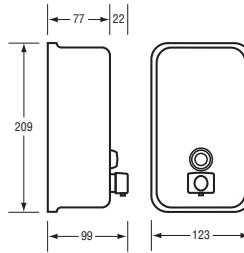
Code	ML 600 BS
Material	#304 Stainless Steel, 0.8mm Thick Body, Black ABS Pump Button
Finish	Satin Stainless Steel
Mounting	Surface Mount Concealed Fix
Capacity	1.2L
Features	Pump action soap dispenser valve Impact resistant liquid level indicator Lockable hinged lid (key provided)

Horizontal Soap Dispenser



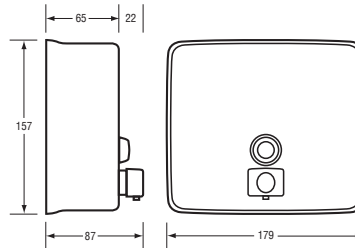
Code	ML 602 BS
Material	#304 Stainless Steel, 0.8mm Thick Body, Black ABS Pump Button
Finish	Satin Stainless Steel
Mounting	Surface Mount Concealed Fix
Capacity	1.2L
Features	Pump action soap dispenser valve Impact resistant liquid level indicator Lockable hinged lid (key provided) Rounded fascia

Ellipse Soap Dispenser



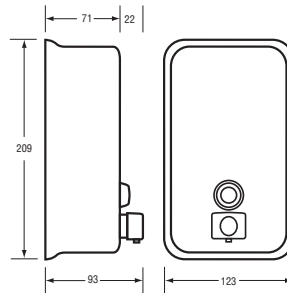
Code	ML 603 BS
Material	#304 Stainless Steel, 0.8mm Thick Body, Black ABS Pump Button
Finish	Satin Stainless Steel
Mounting	Surface Mount Concealed Fix
Capacity	1.2L
Features	Pump action soap dispenser valve Impact resistant liquid level indicator Lockable hinged lid (key provided)

Square Soap Dispenser



Code	ML 605 BS
Material	#304 Stainless Steel, 0.8mm Thick Body, Black ABS Pump Button
Finish	Satin Stainless Steel
Mounting	Surface Mount Concealed Fix
Capacity	1.2L
Features	Pump action soap dispenser valve Impact resistant liquid level indicator Lockable hinged lid (key provided)

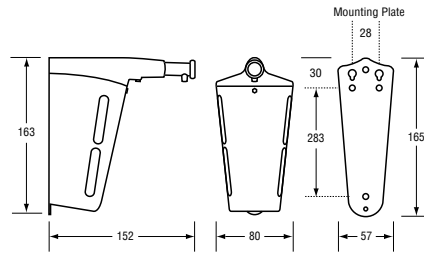
Vertical Soap Dispenser





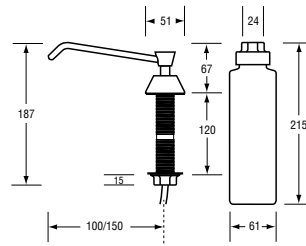
Code	ML 606
Material	#304 Stainless Steel Body, BCP Cast Pump Housing, ABS Reservoir
Finish	Polished Stainless Steel
Mounting	Surface Mount Concealed Fix via Wall Bracket
Features	Pump action soap dispenser valve Liquid Level Indicator Windows Lockable Filler Cap (key provided)
Capacity	400mL

Compact Soap Dispenser



Code	ML 616-4 & ML 616-6
Material	Brass Piston, Spout & Mounting, PE Container
Finish	Bright Chrome Piston, Spout & Mounting, Translucent White PE Reservoir
Mounting	Concealed Basin or Vanity Mount secured (25mmØ cutout) via ABS Threaded Nuts
Capacity	475mL
Specify	ML 616-4: 100mm Spout Length ML 616-6: 150mm Spout Length
Note	Optional 38mm Riser available - ML 628 Collar

In Basin/Vanity Soap Dispenser



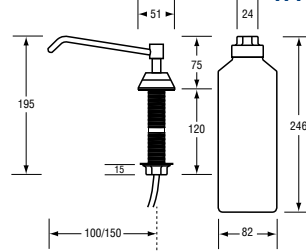
ML 616-6: 150mm Spout Length



Optional ML 628 Collar

Code	ML 628-4 & ML 628-6
Material	#304 Stainless Steel Piston & Spout, Brass Cover, PE Container
Finish	Polished Stainless Steel Piston & Bright Chrome Cover, Translucent White PE Reservoir
Mounting	Concealed Basin or Vanity Mount secured (25mmØ cutout) via ABS Threaded Nuts
Capacity	950mL
Specify	ML 628-4: 100mm Spout Length ML 628-6: 150mm Spout Length
Note	Optional 38mm Riser available - ML 628 Collar

In Basin/Vanity Soap Dispenser



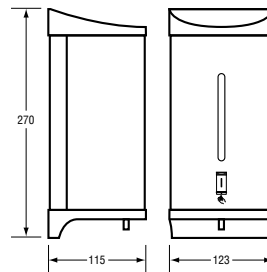
ML 628-4: 100mm Spout Length



Optional ML 628 Collar

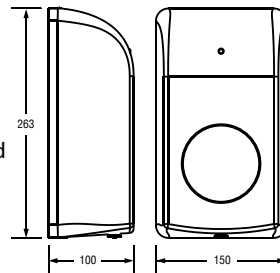
Code	ML 950 SS
Material	#304 Stainless Steel Case, ABS Top & Base
Finish	Satin Stainless Steel Case, Black Top & Base
Mounting	Surface Mount Lockable Concealed Fix
Features	Provides one drop (1~1.5mL) per cycle Auto Operation - Infrared Sensor Operated/Powered by six AA Batteries (not included) provides approx 10,000 drops or one year usage Green Standby Light, Red Low Battery Light Can be used with select Medical Grade Soaps Vandal resistant security lock (key provided)
Capacity	900mL Removable Reservoir

Auto Soap Dispenser



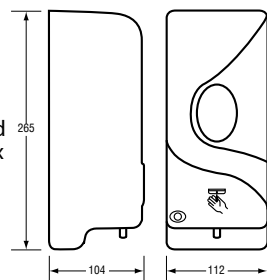
Code	EcoFoam
Material	White ABS Body
Mounting	Surface Mount Concealed Fix
Features	Saves on liquid soap by mixing water with soap (from 2:1~5:1) creating high density foam soap Auto Operation - Infrared Sensor Operated/Powered by four AA Batteries (not included) LED indicates Operation & Battery Replacement Liquid Level Indicator Lockable (key provided)
Capacity	1.0L Reservoir

Auto Foam Soap Dispenser



Code	ML 950 DA
Material	White ABS Body
Mounting	Surface Mount Concealed Fix
Features	Provides one drop (1~1.5mL) per cycle, Auto Operation - Infrared Sensor Operated/Powered by six AA Batteries (not included) provides approx 10,000 drops or one year usage, Green Standby Light, Red Low Battery Light, Can be used with select Medical Grade Soaps, Liquid Level Indicator, Lockable (key provided)
Capacity	950mL Removable Reservoir

Auto Soap Dispenser

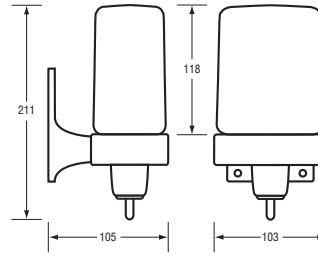


The photographs and line drawings of the products in this catalogue are representational only. Metlam Australia Pty Ltd reserves the right to, and from time to time, make changes and improvements in design and dimensions.



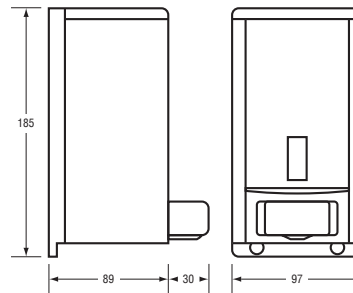
Code	ML 610
Material	Die Cast Holder & Bracket, ABS Valve, PE Reservoir
Finish	Bright Chrome Bracket & Holder, Translucent White PE Reservoir
Mounting Features	Surface Mount Visible Fix Push Up soap dispenser valve Removable easy fill Soap Reservoir
Capacity	700mL

Push Up Soap Dispenser



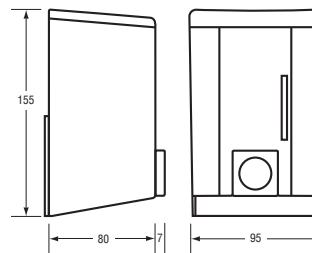
Code	ML 635
Material	ABS Body & Push Pump
Finish	Buff
Mounting Features	Surface Mount Concealed Fix Pump action soap dispenser valve Liquid level indicator window Lockable Filler Cap (key provided)
Capacity	475mL

Lockable Soap Dispenser



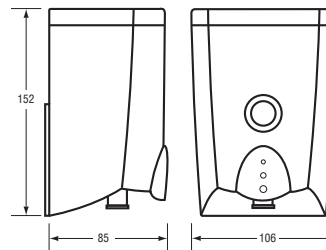
Code	ML 655
Material	ABS Body & Push Pump
Finish	White
Mounting Features	Surface Mount Concealed Fix Pump action soap dispenser valve Liquid level indicator window
Capacity	600mL

Soap Dispenser



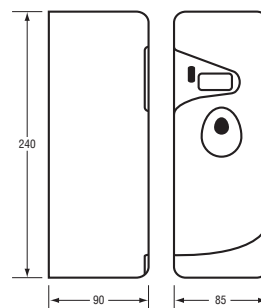
Code	ML 663 W
Material	ABS Body & Push Pump
Finish	White
Mounting Features	Surface Mount Concealed Fix Pump action soap dispenser valve Liquid level indicator window
Capacity	600mL

Soap Dispenser



Code	ML 230 AD
Material	ABS Body
Finish	White
Mounting Features	Surface Mount Concealed Fix Auto Operation - Programmable for spray Start-Stop Powered by two D Cell Batteries (not included) providing approx 36,000 spray cycles or one year usage LCD Display reads number of sprays, clock setting Security lock on cover (key provided)
Capacity	900mL Replaceable Aerosol (not included)

Auto Air Freshener





Code	ML 230 S & ML 230 B
Material	#304 Stainless Steel
Finish/Specify	ML 230 S: Satin Stainless Steel (Shown) ML 230 B: Polished Stainless Steel
Mounting	Surface Mount Concealed Fix
Overall Size	110mmW x 50mmH x 108mmD

Soap Dish



Code	ML 231
Material	#304 Stainless Steel
Finish	Satin Stainless Steel
Mounting	Flush Surface Mount Concealed Fix
Overall Size	110mmW x 52mmH x 85mmD

Soap Dish



Code	ML 232 S & ML 232 B
Material	#304 Stainless Steel Body, Acrylic Tray
Finish/Specify	ML 232 S: Satin Stainless Steel (Shown) ML 232 B: Polished Stainless Steel
Mounting	Recess Mount Visible Fix
Features	Removable Acrylic Tray
Overall Size	159mmW x 59mmH x 45mmD
Wall Opening	140mmW x 140mmH x 51mmD

Recessed Soap Holder



Code	ML 234 S
Material	#304 Stainless Steel
Finish	Satin Stainless Steel
Mounting	Recess Mount Visible Fix
Overall Size	159mmW x 59mmH x 45mmD
Wall Opening	140mmW x 140mmH x 51mmD

Recessed Soap Holder



Code	ML 236
Material	#304 Stainless Steel
Finish	Satin Stainless Steel
Mounting	Recess Mount Concealed Fix
Overall Size	198mmW x 298mmH x 70 mmD
Wall Opening	155mmW x 255mmH x 72mmD

Recessed Soap & Shampoo Holder



Code	ML 237-1
Material	#304 Stainless Steel
Finish	Satin Stainless Steel
Mounting	Recess Mount Concealed Fix
Overall Size	188mmW x 152mmH x 63mmD
Wall Opening	148mmW x 112mmH x 65mmD

Recessed Heavy Duty Soap Holder





Soap Basket

Code	ML 239 B
Material	Brass
Finish	Bright Chrome
Mounting	Surface Mount Visible Fix - 48mm C to C
Overall Size	133mmW x 31mmH x 90mmD



Corner Soap Basket

Code	ML 240 B & 240 B LGE
Material	Brass
Finish	Bright Chrome
Mounting	Surface Mount Visible Fix ML 240 B: 20mm C to C (73mm in from rear) ML 240 B LGE: 77mm C to C (63mm in from rear)
Size/Specify	ML 240 B: 176mmW x 34mmH x 115mmD ML 240 B LGE: 230mmW x 50mmH x 165mmD



ML 240 B



ML 240 B LGE

Soap Dish

Code	ML 241 S & ML 241 B
Material	#304 Stainless Steel formed from single piece
	#7 Gauge Stainless Steel
Finish/Specify	ML 241 S: Satin Stainless Steel (Shown) ML 241 B: Polished Stainless Steel
Mounting	Surface Mount Visible Fix - 89mm C to C
Overall Size	128mmW x 50mmH x 78mmD



Corner Soap & Shampoo Holder

Code	ML 243
Material	#304 Stainless Steel
Finish	Satin Stainless Steel
Mounting	Surface Mount Semi Visible Fix 120mm C to C (72mm in from rear)
Overall Size	400mmW x 20mmH x 200mmD



Soap Dish

Code	ML 3359 B
Material	Die Cast Zinc
Finish	Bright Chrome
Mounting	Surface Mount Concealed Fix
Overall Size	105mmW x 60mmH x 110mmD



Sturt Soap Dish

Code	ML 5859 CP & 5859 W
Material	Die Cast Zinc
Finish/Specify	ML 5859 CP: Bright Chrome (Shown) ML 5859 W: White Powder Coat
Mounting	Surface Mount Concealed Fix
Overall Size	125mmW x 55mmH x 96mmD





Code	ML 6022 PSS
Material	#304 Stainless Steel
Finish	Polished Stainless Steel
Mounting	Surface Mount Concealed Fix - 160mm C to C
Overall Size	180mmW x 20mmH x 95mmD
Note	Use Dress Trim - ML 6044 PSS - for soft wall fixing (Refer Section 1 - 18)

Lawson Soap Dish



Code	ML 6032 PSS & ML 6034 PSS
Material	#304 Stainless Steel
Finish	Polished Stainless Steel
Mounting	ML 6032 PSS: Surface Mount Concealed Fix - 300mm C to C (Shown) ML 6034 PSS: Surface Mount Concealed Fix - 450mm C to C
Size/Specify	ML 6032 PSS: 320mmW x 20mmH x 95mmD ML 6034 PSS: 450mmW x 20mmH x 95mmD
Soap Dish Area	100mmW x 65mmD
Note	Use Dress Trim - ML 6044 PSS - for soft wall fixing (Refer Section 1 - 18)

Lawson Soap Dish & Shelf



Code	ML 6074 PSS
Material	#304 Stainless Steel
Finish	Polished Stainless Steel
Mounting	Surface Mount Concealed Fix - 160mm C to C
Overall Size	180mmW x 20mmH x 95mmD
Note	Use Dress Trim - ML 6094 PSS - for soft wall fixing (Refer Section 1 - 19)

Paterson Soap Dish



Code	ML 6082 PSS & ML 6084 PSS
Material	#304 Stainless Steel
Finish	Polished Stainless Steel
Mounting	ML 6082 PSS: Surface Mount Concealed Fix - 300mm C to C (Shown) ML 6084 PSS: Surface Mount Concealed Fix - 450mm C to C
Size/Specify	ML 6082 PSS: 320mmW x 20mmH x 95mmD ML 6084 PSS: 450mmW x 20mmH x 95mmD
Soap Dish Area	100mmW x 65mmD
Note	Use Dress Trim - ML 6094 PSS - for soft wall fixing (Refer Section 1 - 19)

Paterson Soap Dish & Shelf



Code	ML 6216
Material	Brass Front Trim: BCP
Finish	Bright Chrome
Mounting	Surface Mount Concealed Fix - 330mm C to C
Overall Size	370mmW x 40mmH x 107mmD
Soap Dish Area	100mmW x 70mmD

Lachlan Soap Dish & Shelf



Code	ML 6220
Material	Brass
Finish	Bright Chrome
Mounting	Surface Mount Concealed Fix - 160mm C to C
Overall Size	180mmW x 40mmH x 107mmD

Lachlan Soap Dish





Code	ML 5818/ML 5824/ML 5830 Series
Material	Die Cast Zinc Mount Brackets, 19mmØ Steel Rail
Finishes	Bright Chrome (CP) White Powder Coat (W)
Mounting Standoff	Surface Mount Concealed Fix (kit included) 55mm
Specify	ML 5818 CP or ML 5818 W : 530mmW x 475mm C to C ML 5824 CP or ML 5824 W : 690mmW x 663mm C to C ML 5830 CP or ML 5830 W : 845mmW x 790mm C to C

Sturt Single Towel Rail



Code	ML 5824 D CP & ML 5824 D W
Material	Die Cast Zinc Mount Brackets, 19mmØ Steel Rails
Finish/Specify	ML 5824 D CP : Bright Chrome ML 5824 D W : White Powder Coat
Mounting Standoff	Surface Mount Concealed Fix (kit included) 48mm with 40mm between
Overall Size	685mmW x 55mmH x 108mmD - 635mm C to C

Sturt Double Towel Rail



Code	ML 5856 CP & ML 5856 W
Material	Die Cast Zinc Mount Brackets, ABS Roller
Finish/Specify	ML 5856 CP : Bright Chrome ML 5856 W : White Powder Coat
Mounting	Surface Mount Concealed Fix (kit included)
Overall Size	250mmW x 55mmH x 78mmD - 185mm C to C
Capacity	Holds one standard toilet roll

Sturt Single Toilet Roll Holder



Code	ML 5860 CP & ML 5860 W
Material	Die Cast Zinc Mount Bracket, 10mmØ Steel Ring
Finish/Specify	ML 5860 CP : Bright Chrome ML 5860 W : White Powder Coat
Mounting	Surface Mount Concealed Fix (kit included)
Overall Size	160mmH x 78mmD
Ring Size	150mmØ Overall
Standoff	60mm

Sturt Towel Ring



Code	ML 5859 CP & ML 5859 W
Material	Die Cast Zinc
Finish/Specify	ML 5859 CP : Bright Chrome ML 5859 W : White Powder Coat
Mounting	Surface Mount Concealed Fix (kit included)
Overall Size	125mmW x 55mmH x 96mmD

Sturt Soap Dish



Code	ML 5891 CP & ML 5891 W
Material	Die Cast Zinc Mount Brackets, 6mm Thick Safety Glass
Finish/Specify	ML 5891 CP : Bright Chrome ML 5891 W : White Powder Coat
Mounting	Surface Mount Concealed Fix (kit included)
Overall Size	Shelf: 585mmW x 55mmH x 106mmD - 525mm C to C Glass: 500mmW x 6mmT x 97mmD

Sturt Glass Shelf





Range Lawson Series

- DESCRIPTION**
- #304 Polished Stainless Steel
 - Concealed Fix anchor points
 - Mounting Kit included (screws, toggles & Allen Key)

- SPECIFICATIONS**
- Mount Supports: 20mmØ



ML 6000 PSS - Single Toilet Roll Holder
Overall: 145mmW x 90mmH x 85mmD
Mounting: (C to C) 80mm
Holder: 10mmØ
Standoff: 60mm



ML 6040 PSS - Towel Ring
Ring: 165mmØ Overall
10mmØ Material
Overall: 180mmH x 85mmD
Standoff: 60mm



ML 6008 PSS - Single Towel Bar 620mmW
ML 6012 PSS - Single Towel Bar 770mmW
Mounting: (C to C) 600mm for ML 6008 PSS
Mounting: (C to C) 750mm for ML 6012 PSS
Overall: 95mmD
Towel Bar: 12mmØ
Standoff: 69mm



ML 6016 PSS - Double Towel Bar 620mmW
ML 6018 PSS - Double Towel Bar 770mmW
Mounting: (C to C) 600mm for ML 6016 PSS
Mounting: (C to C) 750mm for ML 6018 PSS
Overall: 145mmD
Towel Bars: 12mmØ
Standoff: 43mm with 63mm between



ML 6004 PSS - Double Toilet Roll Holder
Overall: 300mmW x 20mmH x 85mmD
Mounting: (C to C) 140mm
Standoff: 60mm
Rollers: Chrome Plated ABS

ML 6002 PSS - Single Toilet Roll Holder
Overall: 160mmW x 20mmH x 85mmD
Mounting: (C to C) 140mm
Standoff: 60mm
Roller: Chrome Plated ABS
(Not Shown)



ML 6044 PSS - Dress Trim
(use on soft wall fixture)
Overall: 5mmD x 32mmØ
Centre Section: 1.5mmD x 20mmØ



ML 6044 PSS - Dress Trim (in situ)



ML 6026 PSS - Shelf 320mmW
ML 6028 PSS - Shelf 470mmW
Mounting: (C to C) 300mm for ML 6026 PSS
Mounting: (C to C) 450mm for ML 6028 PSS
Overall: 20mmH x 95mmD



ML 6036 PSS - Robe Hook
Overall: 48mmD x 20mmØ



ML 6022 PSS - Soap Dish
Mounting: (C to C) 160mm
Overall: 180mmW x 20mmH x 95mmD



ML 6032 PSS - Combined Shelf & Soap Dish 320mmW
ML 6034 PSS - Combined Shelf & Soap Dish 470mmW
Mounting: (C to C) 300mm for ML 6032 PSS
Mounting: (C to C) 450mm for ML 6034 PSS
Overall: 20mmH x 95mmD
Soap Dish Area: 100mmW x 65mmD



Range Paterson Series

- DESCRIPTION**
- #304 Polished Stainless Steel
 - Concealed Fix anchor points
 - Mounting Kit included (screws, toggles & Allen Key)

- SPECIFICATIONS**
- Mount Supports: 20mm²



ML 6048 PSS - Single Toilet Roll Holder
Overall: 145mmW x 95mmH x 85mmD
Mounting: (C to C) 80mm
Holder: 10mmØ
Standoff: 60mm



ML 6090 PSS - Towel Ring
Ring: 165mmØ Overall
10mmØ Material
Overall: 170mmH x 85mmD
Standoff: 60mm



ML 6056 PSS - Single Towel Bar 620mmW
ML 6060 PSS - Single Towel Bar 770mmW
Mounting: (C to C) 600mm for ML 6056 PSS
Mounting: (C to C) 750mm for ML 6060 PSS
Overall: 95mmD
Towel Bar: 12mmØ
Standoff: 69mm



ML 6064 PSS - Double Towel Bar 620mmW
ML 6068 PSS - Double Towel Bar 770mmW
Mounting: (C to C) 600mm for ML 6064 PSS
Mounting: (C to C) 750mm for ML 6068 PSS
Overall: 145mmD
Towel Bars: 12mmØ
Standoff: 43mm with 63mm between



ML 6049 PSS - Double Toilet Roll Holder
Overall: 300mmW x 20mmH x 85mmD
Mounting: (C to C) 140mm
Standoff: 60mm
Rollers: Chrome Plated ABS

ML 6050 PSS - Single Toilet Roll Holder
Overall: 160mmW x 20mmH x 85mmD
Mounting: (C to C) 140mm
Standoff: 60mm
Roller: Chrome Plated ABS
(Not Shown)



ML 6094 PSS - Dress Trim
(use on soft wall fixture)
Overall: 5mmD x 32mm²
Centre Section: 1.5mmD x 20mm²



ML 6094 PSS - Dress Trim (in situ)



ML 6078 PSS - Shelf 320mmW
ML 6080 PSS - Shelf 470mmW
Mounting: (C to C) 300mm for ML 6078 PSS
Mounting: (C to C) 450mm for ML 6080 PSS
Overall: 20mmH x 95mmD



ML 6086 PSS - Robe Hook
Overall: 48mmD x 20mm²



ML 6074 PSS - Soap Dish
Mounting: (C to C) 160mm
Overall: 180mmW x 20mmH x 95mmD



ML 6082 PSS - Combined Shelf & Soap Dish 320mmW
ML 6084 PSS - Combined Shelf & Soap Dish 470mmW
Mounting: (C to C) 300mm for ML 6082 PSS
Mounting: (C to C) 450mm for ML 6084 PSS
Overall: 20mmH x 95mmD
Soap Dish Area: 100mmW x 65mmD



Range Lachlan Series

- DESCRIPTION**
- Premium Brass, Chrome Plated finish
 - Concealed Fix anchor points
 - All Mount/Support Sections Bright Chrome Plate
 - Mounting Kit included (screws, toggles & Allen Key)

- SPECIFICATIONS**
- Mount: 40mmØ x 6mmD (multipoint)
 - Support: 19mmØ



ML 6225 - Single Toilet Roll Holder
Overall: 145mmW x 90mmH x 85mmD
Holder: 7mmØ
Standoff: 85mm



ML 6227 - Square Towel Holder
Holder: 175mmW x 120mmH - 12mmØ
Overall: 130mmH x 85mmD
Standoff: 65mm



ML 6204 - Single Towel Bar 700mmW
Mounting: (C to C) 660mm
Overall: 85mmD
Towel Bar: 640mmW x 22mmØ
Standoff: 60mm



ML 6208 - Double Towel Bar 700mmW
Mounting: (C to C) 660mm
Overall: 125mmD
Outer Towel Bar: 640mmW x 22mmØ
Inner Towel Bar: 640mmW x 10mmØ
Standoff: 45mm with 45mm between



ML 6234 - Toilet Brush & Holder
Mounting: (C to C) 135mm
Overall: 155mmW x 370mmH x 120mmD
Holder: 140mmH x 120mmD x 78-97mmØ
Brush Handle & Front Trim: BCP
Holder & Shelf: SSS



ML 6212 - Glass Shelf 460mmW
Mounting: (C to C) 435mm
Overall: 125mmD
Glass: 423mmW x 6.5mmT
Front Trim: BCP

ML 6224 - Single Toilet Roll Holder with PSS Cover
Overall: 145mmW x 90mmH x 85mmD
Cover: 110mmW x 115mmH
Holder: 7mmØ
Standoff: 85mm



ML 6216 - Combined Shelf & Soap Dish 350mmW
Mounting: (C to C) 330mm
Overall: 107mmD
Soap Dish Area: 100mmW x 70mmD
Soap Dish: SSS
Front Trim: BCP



ML 6226 - Single or Spare Toilet Roll Holder
Mount: 40mmØ x 6mmD
Support Post: 19mmØ x 68mmL
Overall Horizontal: 170mmW x 76mmD
Holder: 10mmØ x 135mmL with 17mmØ Cap (3mmD)
Standoff: 60mm



ML 6230 - Robe Hook
Overall: 60mmD
Cap: 25mmØ x 4mmD



ML 6220 - Soap Dish
Mounting: (C to C) 160mm
Overall: 180mmW x 107mmD
Dish: 142mmW x 10mmH x 100mmD
Soap Dish: SSS
Front Trim: BCP



Single Towel Rail

Code	ML 221 Series
Material	#304 Stainless Steel - 19mmØ Rail
Finishes	Satin Stainless Steel (S) Polished Stainless Steel (B)
Mounting	Surface Mount Concealed Fix
Standoff	65mm
Specify	ML 221-18 S or ML 221-18 B : 457mm C to C ML 221-24 S or ML 221-24 B : 610mm C to C ML 221-30 S or ML 221-30 B : 762mm C to C ML 221-36 S or ML 221-36 B : 914mm C to C



Code	ML 222 Series
Material	#304 Stainless Steel Rail - 25mmØ Rail, Chrome Plated Brass Support Posts
Finishes	Satin Stainless Steel Rail/Satin Chrome Posts (S) Polished Stainless Steel Rail/Bright Chrome Posts (B)
Mounting	Surface Mount Visible Fix
Standoff	65mm
Specify	ML 222-18 S or ML 222-18 B : 457mm C to C ML 222-24 S or ML 222-24 B : 610mm C to C ML 222-30 S or ML 222-30 B : 762mm C to C ML 222-36 S or ML 222-36 B : 914mm C to C

Heavy Duty Single Towel Rail



Code	ML 5818/ML 5824/ML 5830 Series
Material	Die Cast Zinc Mount Brackets, 19mmØ Steel Rail
Finishes	Bright Chrome (CP) White Powder Coat (W)
Mounting	Surface Mount Concealed Fix (kit included)
Standoff	55mm
Specify	ML 5818 CP or ML 5818 W : 530mmW x 475mm C to C ML 5824 CP or ML 5824 W : 690mmW x 663mm C to C ML 5830 CP or ML 5830 W : 845mmW x 790mm C to C
Note	Double Towel Rail available (Refer Section 1 - 17)

Sturt Single Towel Rail



Code	ML 6008 PSS & ML 6012 PSS
Material	#304 Stainless Steel - 12mmØ Rail
Finish	Polished Stainless Steel
Mounting	Surface Mount Concealed Fix ML 6008 PSS: 600mm C to C ML 6012 PSS: 750mm C to C
Size/Specify	ML 6008 PSS : 620mmW x 20mmH x 95mmD ML 6012 PSS : 770mmW x 20mmH x 95mmD
Standoff	69mm
Note	Use Dress Trim - ML 6044 PSS - for soft wall fixing (Refer Section 1 - 18)

Lawson Single Towel Rail



Code	ML 6056 PSS & ML 6060 PSS
Material	#304 Stainless Steel - 12mmØ Rail
Finish	Polished Stainless Steel
Mounting	Surface Mount Concealed Fix ML 6056 PSS: 600mm C to C ML 6060 PSS: 750mm C to C
Size/Specify	ML 6056 PSS : 620mmW x 20mmH x 95mmD ML 6060 PSS : 770mmW x 20mmH x 95mmD
Standoff	69mm
Note	Use Dress Trim - ML 6094 PSS - for soft wall fixing (Refer Section 1 - 19)

Paterson Single Towel Rail



Code	ML 6204
Material	Brass - 22mmØ Rail
Finish	Bright Chrome
Mounting	Surface Mount Concealed Fix - 660mm C to C
Overall Size	700mmW x 40mmH x 85mmD
Standoff	60mm

Lachlan Single Towel Rail





Code ML 6016 PSS & ML 6018 PSS

Material #304 Stainless Steel - 12mmØ Rails
Finish Polished Stainless Steel
Mounting Surface Mount Concealed Fix
 ML 6016 PSS: 600mm C to C
 ML 6018 PSS: 750mm C to C
Size/Specify **ML 6016 PSS:** 620mmW x 20mmH x 145mmD
ML 6018 PSS: 770mmW x 20mmH x 145mmD
Standoff 43mm with 63mm between
Note Use Dress Trim - ML 6044 PSS - for soft wall fixing (Refer Section 1 - 18)

Lawson Double Towel Rail



Code ML 6064 PSS & ML 6068 PSS

Material #304 Stainless Steel - 12mmØ Rails
Finish Polished Stainless Steel
Mounting Surface Mount Concealed Fix
 ML 6064 PSS: 600mm C to C
 ML 6068 PSS: 750mm C to C
Size/Specify **ML 6064 PSS:** 620mmW x 20mmH x 145mmD
ML 6068 PSS: 770mmW x 20mmH x 145mmD
Standoff 43mm with 63mm between
Note Use Dress Trim - ML 6094 PSS - for soft wall fixing (Refer Section 1 - 19)

Paterson Double Towel Rail



Code ML 6208

Material Brass - 22mmØ Outer Rail, 10mmØ Inner Rail
Finish Bright Chrome
Mounting Surface Mount Concealed Fix - 660mm C to C
Overall Size 700mmW x 40mmH x 125mmD
Standoff 45mm with 45mm between

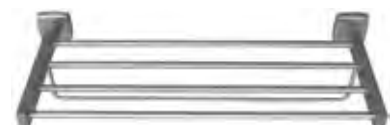
Lachlan Double Towel Rail



Code ML 226 Series

Material #304 Stainless Steel - 6.5mmØ Shelf & Drying Rails
Finishes Satin Stainless Steel (S)
 Polished Stainless Steel (B)
Mounting Surface Mount Concealed Fix
Overall Size 125mmH x 210mmD
Specify **ML 226-18 S** or **ML 226-18 B:** 457mm C to C
ML 226-24 S or **ML 226-24 B:** 610mm C to C
ML 226-30 S or **ML 226-30 B:** 762mm C to C

Towel Shelf & Drying Rail



Code ML 227 C Series

Material #304 Stainless Steel - 6.5mmØ Shelf Rails, 19mmØ Frame & Drying Rail
Finish Polished Stainless Steel
Mounting Surface Mount Concealed Fix
Overall Size 160mmH x 210mmD
Specify **ML 227 C-18:** 457mm C to C
ML 227 C-24: 610mm C to C
ML 227 C-30: 762mm C to C

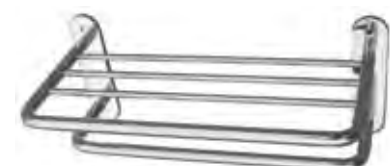
Towel Shelf & Drying Rail



Code ML 227 N Series

Material #304 Stainless Steel - 9.5mmØ Shelf Rails, 19mmØ Frame & Drying Rail
Finish Polished Stainless Steel
Mounting Surface Mount Visible Fix
Overall Size 212mmH x 237mmD
Specify **ML 227 N-18:** 457mm C to C
ML 227 N-24: 610mm C to C
ML 227 N-30: 762mm C to C

Towel Shelf & Drying Rail





Code ML 290

Material #304 Stainless Steel Body & Bracket, Vinyl Cord, White Vinyl Knob & Locking Nut
Finish Polished Stainless Steel
Mounting Surface Mount Concealed/Visible Fix
Overall Size 90mmØ x 60mm Projection
Features 3000mm Retractable Vinyl Cord

Retractable Clothes Line



Code ML 5860 CP & ML 5860 W

Material Die Cast Zinc
Finish/Specify **ML 5860 CP:** Bright Chrome
ML 5860 W: White Powder Coat
Mounting Surface Mount Concealed Fix
Overall Size 160mmH x 78mmD
Ring 150mmØ Overall
 10mmØ Material
Standoff 60mm

Sturt Towel Ring



Code ML 6040 PSS

Material #304 Stainless Steel
Finish Polished Stainless Steel
Mounting Surface Mount Concealed Fix
Overall Size 170mmH x 85mmD
Ring 165mmØ Overall
 10mmØ Material
Standoff 60mm
Note Use Dress Trim - ML 6044 PSS - for soft wall fixing (Refer Section 1 - 18)

Lawson Towel Ring



Code ML 6090 PSS

Material #304 Stainless Steel
Finish Polished Stainless Steel
Mounting Surface Mount Concealed Fix
Overall Size 170mmH x 85mmD
Ring 165mmØ Overall
 10mmØ Material
Standoff 60mm
Note Use Dress Trim - ML 6094 PSS - for soft wall fixing (Refer Section 1 - 19)

Paterson Towel Ring



Code ML 6227

Material Brass
Finish Bright Chrome
Mounting Surface Mount Concealed Fix
Overall Size 130mmH x 85mmD
Holder 175mmW x 120mmH x 12mmØ
Standoff 60mm

Lachlan Towel Holder





Lawson Shelf

Code	ML 6026 PSS & ML 6028 PSS
Material	#304 Stainless Steel
Finish	Polished Stainless Steel
Mounting	Surface Mount Concealed Fix ML 6026 PSS: 300mm C to C ML 6028 PSS: 450mm C to C
Size/Specify	ML 6026 PSS: 320mmW x 20mmH x 95mmD ML 6028 PSS: 470mmW x 20mmH x 95mmD
Note	Use Dress Trim - ML 6044 PSS - for soft wall fixing (Refer Section 1 - 18)



Code	ML 6032 PSS & ML 6034 PSS
Material	#304 Stainless Steel
Finish	Polished Stainless Steel
Mounting	Surface Mount Concealed Fix ML 6032 PSS: 300mm C to C ML 6034 PSS: 450mm C to C
Size/Specify	ML 6032 PSS: 320mmW x 20mmH x 95mmD ML 6034 PSS: 470mmW x 20mmH x 95mmD
Soap Dish Area	100mmW x 65mmD
Note	Use Dress Trim - ML 6044 PSS - for soft wall fixing (Refer Section 1 - 18)

Lawson Shelf & Soap Dish



Code	ML 6078 PSS & ML 6080 PSS
Material	#304 Stainless Steel
Finish	Polished Stainless Steel
Mounting	Surface Mount Concealed Fix ML 6078 PSS: 300mm C to C ML 6080 PSS: 450mm C to C
Size/Specify	ML 6078 PSS: 320mmW x 20mmH x 95mmD ML 6080 PSS: 470mmW x 20mmH x 95mmD
Note	Use Dress Trim - ML 6094 PSS - for soft wall fixing (Refer Section 1 - 19)

Paterson Shelf



Code	ML 6082 PSS & ML 6084 PSS
Material	#304 Stainless Steel
Finish	Polished Stainless Steel
Mounting	Surface Mount Concealed Fix ML 6082 PSS: 300mm C to C ML 6084 PSS: 450mm C to C
Size/Specify	ML 6082 PSS: 320mmW x 20mmH x 95mmD ML 6084 PSS: 470mmW x 20mmH x 95mmD
Soap Dish Area	100mmW x 65mmD
Note	Use Dress Trim - ML 6094 PSS - for soft wall fixing (Refer Section 1 - 19)

Paterson Shelf & Soap Dish

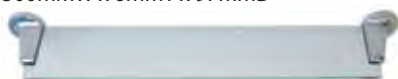


Code	ML 6216
Material	Brass, Front Trim BCP
Finish	Bright Chrome
Mounting	Surface Mount Concealed Fix - 330mm C to C
Overall Size	350mmW x 40mmH x 107mmD
Soap Dish Area	100mmW x 70mmD

Lachlan Shelf & Soap Dish



Code	ML 5891 CP & ML 5891 W - Sturt Glass Shelf
Material	Die Cast Zinc Mount Brackets, 6mmT Safety Glass
Finish/Specify	ML 5891 CP: Bright Chrome ML 5891 W: White Powder Coat
Mounting	Surface Mount Concealed Fix - 525mm C to C
Overall Size	585mmW x 55mmH x 106mmD
Glass Size	500mmW x 6mmT x 97mmD



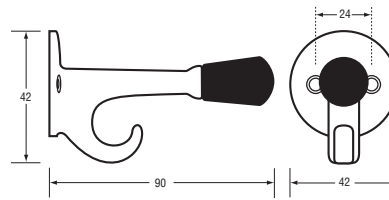
Code	ML 6212 - Lachlan Glass Shelf
Material	Brass, 6.5mmT Safety Glass
Finish	Bright Chrome
Mounting	Surface Mount Concealed Fix - 435mm C to C
Overall Size	460mmW x 40mmH x 125mmD
Glass Size	423mmW x 6.5mmT x 105mmD





Code 102

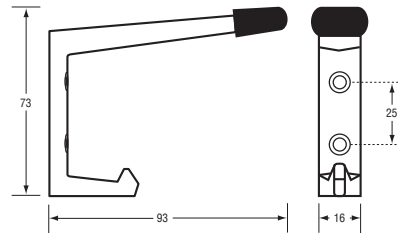
Material Diecast Zinc, Rubber Bumper
Finish Satin Chrome
Mounting Visible Screw Fix



Coat Hook

Code 202 SCP & 202 BCP

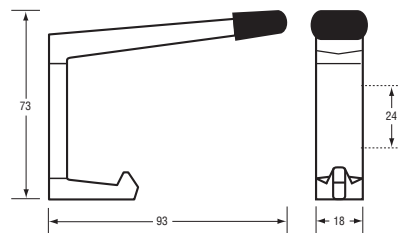
Material Diecast Zinc, Rubber Bumper
Finish/Specify **202 SCP:** Satin Chrome
202 BCP: Bright Chrome
Mounting Visible Screw Fix



Coat Hook

Code 202 C Series

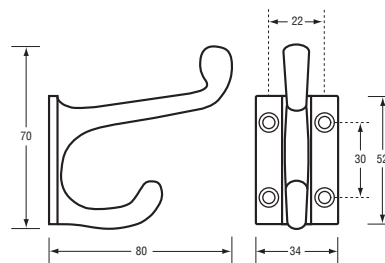
Material Diecast Zinc, Rubber Bumper, ABS Snap On Cover
Finish/Specify **202 C SCP:** Satin Chrome
202 C BCP: Bright Chrome
202 C BNP: Brushed Nickel - Stainless Steel look
Mounting Concealed Screw Fix



Concealed Fix Coat Hook

Code ML 204 S & ML 204 B

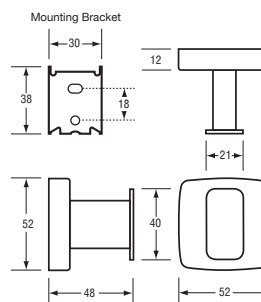
Material Diecast Zinc
Finish/Specify **ML 204 S:** Satin Chrome
ML 204 B: Bright Chrome
Mounting Visible Screw Fix



Coat Hook

Code ML 210 S & ML 210 B

Material #304 Stainless Steel
Finish/Specify **ML 210 S:** Satin Stainless Steel
ML 210 B: Polished Stainless Steel
Mounting Concealed Screw Fix



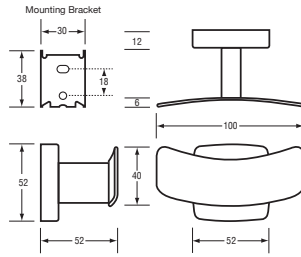
Single Robe Hook

The photographs and line drawings of the products in this catalogue are representational only. Metlam Australia Pty Ltd reserves the right to, and from time to time, make changes and improvements in design and dimensions.



Code ML 211 S & ML 211 B

Material #304 Stainless Steel
Finish/Specify **ML 211 S:** Satin Stainless Steel
ML 211 B: Polished Stainless Steel
Mounting Concealed Screw Fix

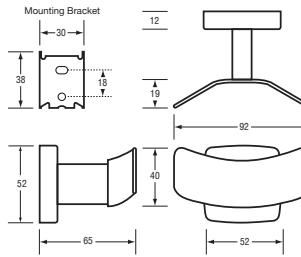


Double Robe Hook



Code ML 212 S & ML 212 B

Material #304 Stainless Steel
Finish/Specify **ML 212 S:** Satin Stainless Steel
ML 212 B: Polished Stainless Steel
Mounting Concealed Screw Fix

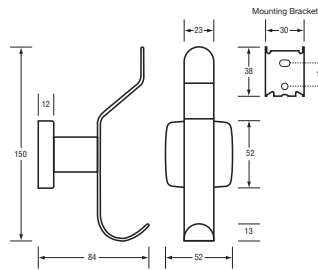


Double Robe Hook



Code ML 214 S & ML 214 B

Material #304 Stainless Steel
Finish/Specify **ML 214 S:** Satin Stainless Steel
ML 214 B: Polished Stainless Steel
Mounting Concealed Screw Fix

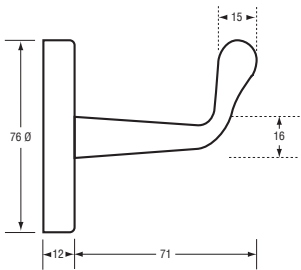


Coat Hook



Code ML 216 S & ML 216 B

Material #304 Stainless Steel
Finish/Specify **ML 216 S:** Satin Stainless Steel
ML 216 B: Polished Stainless Steel
Mounting Concealed Screw Fix

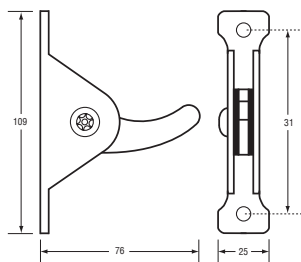


Heavy Duty Coat Hook



Code ML 2117

Material #304 Stainless Steel
Finish Satin Stainless Steel
Mounting Visible Screw Fix
Features Nominal 12kg Load Capacity

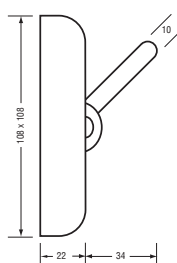


Collapsible Coat Hook



Code ML 2122 & ML 2123

Material #304 Stainless Steel
Finish Satin Stainless Steel
Mounting/Specify **ML 2122:** Concealed Screw Fix
ML 2123: Visible Screw Fix
Features Nominal 12kg Load Capacity
(NATA Laboratory Tested)



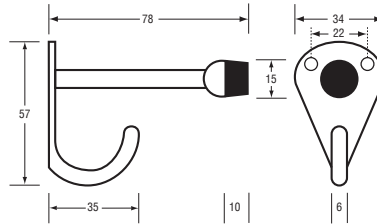
Collapsible Coat Hook





Code ML 3020

Material Diecast Zinc, Rubber Bumper
Finish Bright Chrome
Mounting Visible Screw Fix

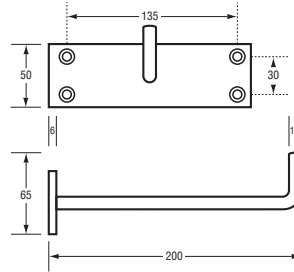


Coat Hook



Code ML 4155

Material #304 Stainless Steel
Finish Satin Stainless Steel
Mounting Visible Screw Fix

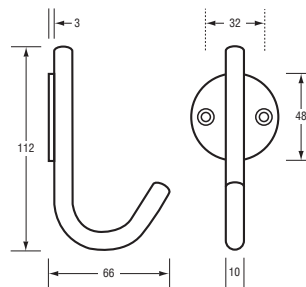


Equipment Hook



Code ML 4156

Material #304 Stainless Steel
Finish Satin Stainless Steel
Mounting Visible Screw Fix

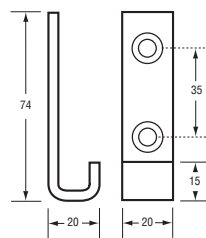


Catheter/IV Hook



Code ML 4157

Material #304 Stainless Steel, 3mm Thickness
Finish Satin Stainless Steel
Mounting Visible Screw Fix

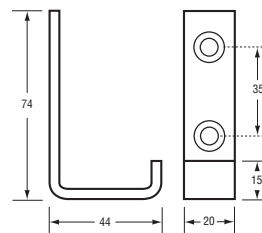


Coat Hook



Code ML 4158

Material #304 Stainless Steel, 3mm Thickness
Finish Satin Stainless Steel
Mounting Visible Screw Fix

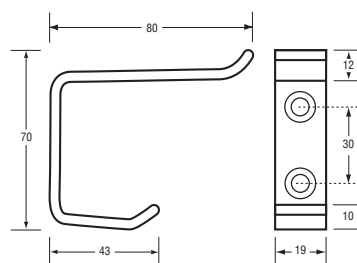


Coat Hook



Code ML 4159

Material #304 Stainless Steel, 3mm Thickness
Finish Satin Stainless Steel
Mounting Visible Screw Fix



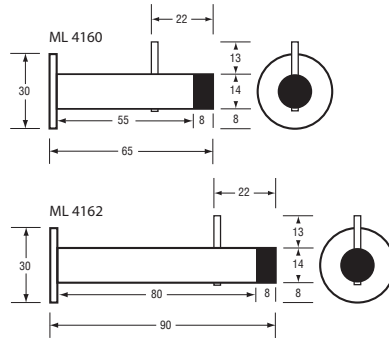
Coat Hook



The photographs and line drawings of the products in this catalogue are representational only. Metlam Australia Pty Ltd reserves the right to, and from time to time, make changes and improvements in design and dimensions.



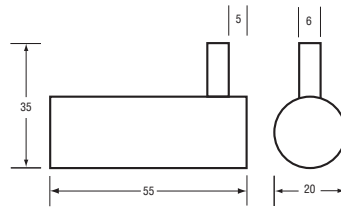
Code ML 4160 & ML 4162
Material #304 Stainless Steel, Rubber Bumper
Finish Satin Stainless Steel
Mounting Concealed Screw Fix via Ferrule
Specify ML 4160: 65mm Long
 ML 4162: 90mm Long (Shown)



Coat Hook



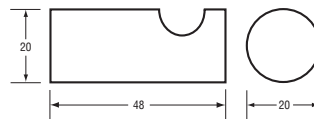
Code ML 4161
Material #304 Stainless Steel
Finish Polished Stainless Steel
Mounting Concealed Screw Fix via Ferrule
Note Use Dress Trim - ML 6044 PSS - for soft wall fixing (Refer Section 1 - 18)



Coat Hook



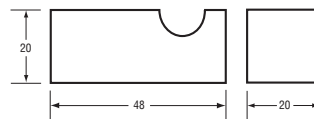
Code ML 6036 PSS
Material #304 Stainless Steel
Finish Polished Stainless Steel
Mounting Concealed Screw Fix via Ferrule
Note Use Dress Trim - ML 6044 PSS - for soft wall fixing (Refer Section 1 - 18)



Lawson Coat Hook



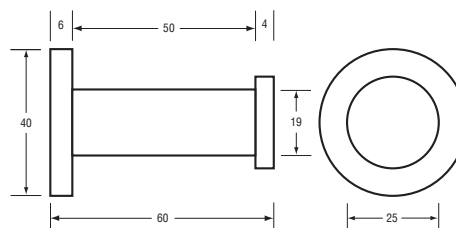
Code ML 6086 PSS
Material #304 Stainless Steel
Finish Polished Stainless Steel
Mounting Concealed Screw Fix via Ferrule
Note Use Dress Trim - ML 6094 PSS - for soft wall fixing (Refer Section 1 - 19)



Paterson Coat Hook



Code ML 6230
Material Brass
Finish Bright Chrome
Mounting Concealed Screw Fix via Ferrule



Lachlan Coat Hook





Code	ML 770 Series
Material	Frame & Shelf: #304 Satin Stainless Steel Back Plate & Wall Brackets: Fabricated from 1.0mm Galvanized Steel
Features	Mirror: 6mm Thick Safety Glass (vinyl backed) Shelf welded to face frame with 127mm projection from mirror Unit secured with theft resistant wall brackets All joins/welds polished
Frame Profile	25mmW/D x 1.5mm Thick

Stainless Steel Framed Mirror with Shelf

CODE	WIDTH	HEIGHT
ML 770	460	610
ML 770-1	460	760
ML 770-2	460	910
ML 770-3	610	760
ML 770-4	610	910
ML 770-5	450	1000



Code	ML 771 Series
Material	Frame: #304 Satin Stainless Steel Back Plate & Wall Brackets: Fabricated from 1.0mm Galvanized Steel
Features	Mirror: 6mm Thick Safety Glass (vinyl backed) Unit secured with theft resistant wall brackets All joins/welds polished
Frame Profile	25mmW/D x 1.5mm Thick

Stainless Steel Framed Mirror

CODE	WIDTH	HEIGHT
ML 771	460	610
ML 771-1	460	760
ML 771-2	460	910
ML 771-3	610	760
ML 771-4	610	910
ML 771-5	450	1000



Code	ML 772
Material	Frame: #304 Satin Stainless Steel Back Plate & Wall Brackets: Fabricated from 1.0mm Galvanized Steel
Features	Mirror: 6mm Thick Safety Glass (vinyl backed) Fixed tilted frame tapers from 105mm projection at top to 30mm at base Theft resistant wall mounting brackets All joins/welds polished
Frame Profile	25mmW/D x 1.5mm Thick
Size	450mmW x 1000mmH

Stainless Steel Framed Tilt Mirror



Fully Compliant with AS1428.1

Code	ML 772 SH
Material	Frame & Shelf: #304 Satin Stainless Steel Back Plate & Wall Brackets: Fabricated from 1.0mm Galvanized Steel
Features	Mirror: 6mm Thick Safety Glass (vinyl backed) Fixed tilted frame tapers from 105mm projection at top to 30mm at base Full width 125mm deep shelf (Overall 155mmD) Theft resistant mounting brackets All joins/welds polished
Frame Profile	25mmW/D x 1.5mm Thick
Size	450mmW x 1000mmH

Stainless Steel Framed Tilt Mirror with Shelf



Fully Compliant with AS1428.1



Code	ML 773, ML 774 & ML 775
Material	#304 Satin Stainless Steel Solid Nylon back
Description	Not scratch resistant
Specify	ML 773: 300mmW x 450mmH x 7.5mmD ML 774: 450mmW x 575mmH x 7.5mmD ML 775: 575mmW x 575mmH x 7.5mmD

Stainless Steel Polished Mirror



Code	ML 780 & ML 781 Series
Material	Cabinet:#304 Satin Stainless Steel Mirror:5mm Thick Safety Glass (vinyl backed)
Features	5 off 90mmD x 385mmW shelves (including base) 4 removable shelves Shelves can be inverted to provide a protective lip option Universal LH or RH door opening
Mirror Size	775mmH x 435mmW
Overall Size	Recessed: 800mmH x 435mmW x 110mmD Semi Recessed: 800mmH x 435mmW x 110mmD x 60mm Projection Surface Mount: 800mmH x 435mmW x 110mmD x 115mm Projection
Cut Out Size	735mmH x 410mmW x 90mmD (min)
Mounting Points	Rear @50mm in from left/right and 105mm up/down from edges Side @ 60mm in from rear of internal fascia and 105mm up/down from edges
Mounting/Specify	ML 780 SS: Recessed with twin magnetic catches (Shown) ML 780 SS SM: Surface Mount (fitted surround) with twin magnetic catches ML 781 SS: Recessed with lockable tumbler lock (centre edge on mirror fascia) ML 781 SS SR: Semi Recessed (fitted surround) with lockable tumbler lock (centre edge on mirror fascia) ML 781 SS SM: Surface Mount (fitted surround) with lockable tumbler lock (centre edge on mirror fascia)

Stainless Steel Medicine Cabinet & Mirror



Range	MLM ACF
Material	Anodised Aluminium
Mirror	4mm Thick for Mirrors up to 1.6m ² 6mm Thick for Mirrors larger than 1.6m ² Mirror can be supplied in Safety, Laminated or Toughened material Mirror held in place by Silica based Channel Seal
Frame Profile	19mmW x 13mmD Overall
Specify	Frame Colour, Overall Size and Mirror Type
Note	All Mirrors are POA as OEM and Made to Order Standard lead times and conditions apply

Anodised Aluminium Framed Concealed Fix Mirrors



Optional Frame Colour Range



Almond Cream



Matt Silver



Polished Silver



Polished Gold



White Birch

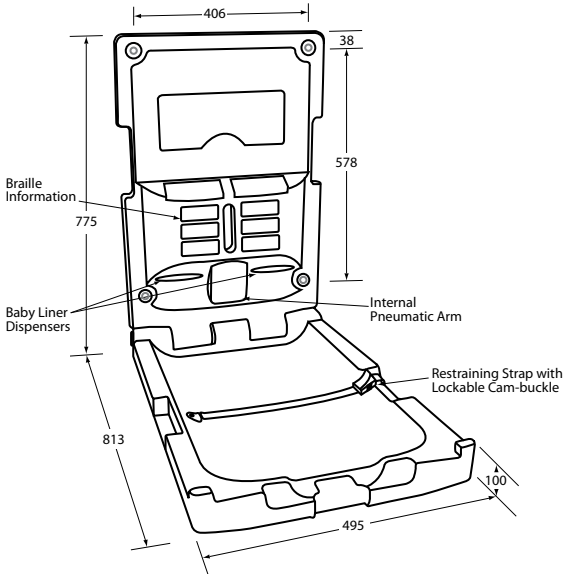


White



Code ML 9100 EV

- Material** Hi-density bacteria resistant Polyethylene body
Stainless Steel hinge & mounting bracket
- Features** Concave change area
Safety restraining strap fitted with lockable Cam-buckle for one handed adjustment & securing
Dual bed liner dispensers
Baby/shoulder bag retainers
Pneumatic non visible Open/Close arm
Braille information
Suitable for up to 22.7kg use
- Overall Size**
Open: 495mmW x 775mmH x 813mmD
Closed: 495mmW x 813mmH x 100mmD

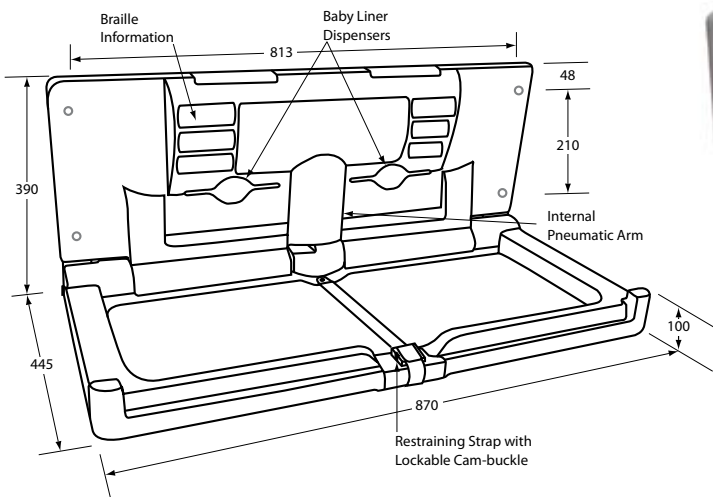


Slimline Vertical Baby Change Station



Code ML 9100 EH

- Material** Hi-density bacteria resistant Polyethylene body
Stainless Steel hinge & mounting bracket
- Features** Concave change area
Safety restraining strap fitted with lockable Cam-buckle for one handed adjustment & securing
Dual bed liner dispensers
Baby/shoulder bag retainers
Pneumatic non visible Open/Close arm
Braille information
Suitable for up to 22.7kg use
- Overall Size**
Open: 870mmW x 390mmH x 445mmD
Closed: 870mmW x 445mmH x 100mmD



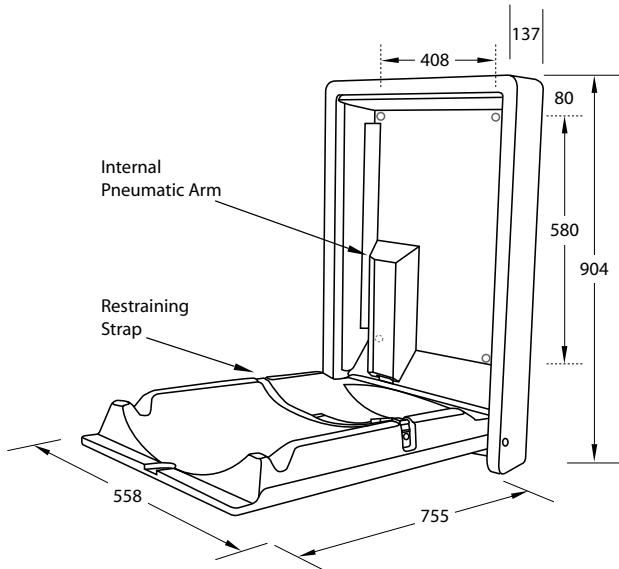
Slimline Horizontal Baby Change Station



The photographs and line drawings of the products in this catalogue are representational only. Metlam Australia Pty Ltd reserves the right to, and from time to time, make changes and improvements in design and dimensions.



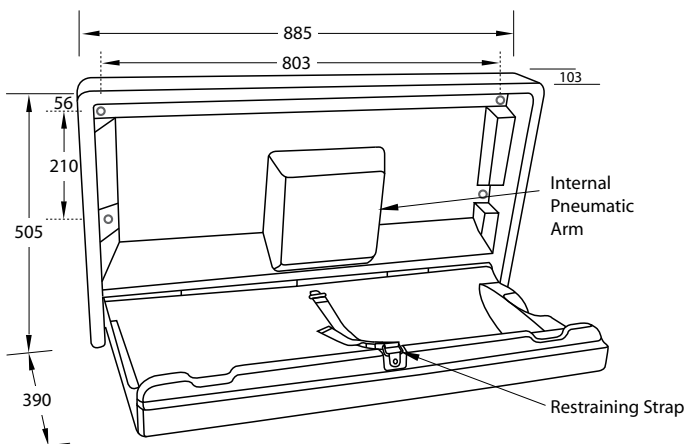
Code	ML 959 V
Material	Hi-density Polypropylene
Features	Concave change area Nylon safety restraining strap Baby/shoulder bag retainers Pneumatic non visible arm for safe controlled opening & closing Suitable for up to 18kg use
Overall Size	Open: 558mmW x 904mmH x 892mmD Closed: 558mmW x 904mmH x 137mmD



Standard Vertical Baby Change Station



Code	ML 959 H
Material	Hi-density Polypropylene
Features	Concave change area Nylon safety restraining strap Baby/shoulder bag retainers Pneumatic non visible arm for safe controlled opening & closing Suitable for up to 18kg use
Overall Size	Open: 885mmW x 505mmH x 493mmD Closed: 889mmW x 505mmH x 103mmD



Standard Horizontal Baby Change Station





Utility Shelves

Code ML 950 & ML 951 Series

Material #304 Stainless Steel
Finish Satin Stainless Steel

CODE	ML 950-12	ML 950-18	ML 950-24	ML 950-30	ML 950-36	ML 951-300	ML 951-450	ML 951-600
Width	300	457	610	762	914	300	450	600
Overall Height	105	105	105	105	105	70	70	70
Overall Depth	128	128	128	128	128	130	130	130
Mounting Holes	4	4	4	4	4	4	4	4



Code ML 980 Series

Material #304 Stainless Steel
Finish Satin Stainless Steel

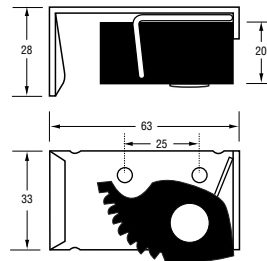
CODE	ML 980-3	ML 980-4	ML 980-5
Width	660	914	1168
Overall Height	232	232	232
Overall Depth	78	78	78
Hooks	3	4	5
Mounting Holes	2	2	2

Hook Strip



Code ML 981-A

Material #304 Stainless Steel Bracket, HD Rubber Spring Loaded Swivel Grip held by Nickel Plate Pin
Finish Satin Stainless Steel



Single Mop & Broom Holder



Code ML 981 Series

Material #304 Stainless Steel
Finish Satin Stainless Steel

CODE	ML 981-3	ML 981-4	ML 981-5	ML 981-6
Width	660	914	1168	1422
Overall Height	120	120	120	120
Overall Depth	82	82	82	82
Holders	3	4	5	6
Mounting Holes	6	8	10	12

Mop & Broom Holder



Code ML 982 Series

Material #304 Stainless Steel
Finish Satin Stainless Steel

CODE	ML 982-30	ML 982-36
Width	762	914
Overall Height	160	160
Overall Depth	260	260
Holders	3	4
Hooks	2	3
Mounting Holes	4	4

Utility Shelf with Holders & Hooks



Code ML 983 Series

Material #304 Stainless Steel
Finish Satin Stainless Steel

CODE	ML 983-3	ML 983-4	ML 983-5
Width	660	914	1168
Overall Height	127	127	127
Overall Depth	128	128	128
Holders	3	4	5
Hooks	2	3	4
Mounting Holes	6	8	10

Mop & Broom Holder with Hooks



The photographs and line drawings of the products in this catalogue are representational only. Metlam Australia Pty Ltd reserves the right to, and from time to time, make changes and improvements in design and dimensions.



Square Ash Tray

Code	ML 902
Material	#304 Stainless Steel
Finish	Satin Stainless Steel
Mounting	Concealed Fix
Features	Unit fitted with tumbler lock Removable Internal Tray
Overall Size	200mm ² x 405mmH 300mmH Pyramid Section 190mm ² x 110mmD Internal Tray



Code	ML 903
Material	#304 Stainless Steel
Finish	Satin Stainless Steel
Mounting	Concealed Fix
Features	Unit fitted with tumbler lock Removable Internal tray
Overall Size	191mmW x 252mmH x 120mmD 152mmW x 120mmH x 90mmD Internal Tray

Small Ash Tray





Code ML 920, ML 921, ML 922 & ML 924

Material #304 Stainless Steel
Finish Satin Stainless Steel
Mounting Wall Mount Visible Fix
Features Top & bottom edges hemmed for safety

PRODUCT CODE	LITRES CAPACITY	WIDTH	HEIGHT	DEPTH
ML 920	68	400	560	305
ML 921	23	356	432	152
ML 922	7	273	229	121
ML 924	45	381	508	230

Wall Mount Waste Receptacles



ML 920

Code ML 931

Material #304 Stainless Steel
Finish Satin Stainless Steel
Mounting Wall Mount Visible Fix
Features Top & bottom edges hemmed for safety
Capacity 19L
Overall Size 370mmW x 410mmH x 240mmD

Wall Mount Corner Waste Receptacle



Code ML 940

Material #304 Stainless Steel Body, Rubber Bumper
Finish Satin Stainless Steel
Features Top edge hemmed for safety
 Rubber Bumper surrounds base to minimise damage
Capacity 9.0L
Overall Size Bin: 210mmØ x 297mmH
 Bumper: 222mmØ x 12mmH

Floor Standing Round Waste Receptacle



Code ML 946 & ML 946 S

Material ML 946: Enamel Steel Body
 ML 946 S: #304 Stainless Steel
 ABS Pedal & Handle Bracket
 #304 Stainless Steel Handle & Pedal Mechanism
Finish/Specify **ML 946:** Bright Chrome
ML 946 S: Satin Stainless Steel
Features Hemmed edges for safety
Capacity 9.0L
Overall Size Bin: 200mmØ x 300mmH
 Pedal: 75mm projection
 Handle Bracket: 40mm projection

Round Dust Bin with Foot Pedal & Handle





Male Toilet

ML 16242 SS Stainless Steel (Shown)
ML 16242 V Vinyl
Size 150mmW x 150mmH



Female Toilet

ML 16262 SS Stainless Steel
ML 16262 V Vinyl (Shown)
Size 150mmW x 150mmH



Boys Toilet

ML 16243 SS Stainless Steel
ML 16243 V Vinyl (Shown)
Size 150mmW x 150mmH



Girls Toilet

ML 16263 SS Stainless Steel (Shown)
ML 16263 V Vinyl
Size 150mmW x 150mmH



Male Staff Toilet

ML 16244 SS Stainless Steel (Shown)
ML 16244 V Vinyl
Size 180mmW x 150mmH



Female Staff Toilet

ML 16264 SS Stainless Steel
ML 16264 V Vinyl (Shown)
Size 180mmW x 150mmH



Male Changeroom

ML 16245 SS Stainless Steel
ML 16245 V Vinyl (Shown)
Size 180mmW x 150mmH



Female Changeroom

ML 16265 SS Stainless Steel (Shown)
ML 16265 V Vinyl
Size 180mmW x 150mmH



Male Ambulant Toilet

ML 16246 SS Stainless Steel (Shown)
ML 16246 V Vinyl
Size 220mmW x 150mmH



Female Ambulant Toilet

ML 16266 SS Stainless Steel
ML 16266 V Vinyl (Shown)
Size 220mmW x 150mmH



Male Accessible Toilet LH Transfer

ML 16247 SS Stainless Steel
ML 16247 V Vinyl (Shown)
Size 205mmW x 150mmH



Female Accessible Toilet LH Transfer

ML 16267 SS Stainless Steel (Shown)
ML 16267 V Vinyl
Size 205mmW x 150mmH



Male Accessible Toilet RH Transfer

ML 16248 SS Stainless Steel (Shown)
ML 16248 V Vinyl
Size 205mmW x 150mmH



Female Accessible Toilet RH Transfer

ML 16268 SS Stainless Steel
ML 16268 V Vinyl (Shown)
Size 205mmW x 150mmH



Male Shower

ML 16291 SS Stainless Steel (Shown)
ML 16291 V Vinyl
Size 200mmW x 150mmH



Female Shower

ML 16292 SS Stainless Steel
ML 16292 V Vinyl (Shown)
Size 200mmW x 150mmH



Note: Other signage available as required - POA & subject to standard lead times.



Unisex Toilets Divided

ML 16210 SS Stainless Steel (Shown)
ML 16210 V Vinyl
Size 150mmW x 150mmH



Unisex Toilet

ML 16211 SS Stainless Steel
ML 16211 V Vinyl (Shown)
Size 150mmW x 150mmH



Unisex Staff Toilets Divided & Arrow

ML 16216 SS Stainless Steel
ML 16216 V Vinyl (Shown)
Specify Left Arrow
Right Arrow (Shown)
Size 200mmW x 150mmH



Unisex Toilet & Arrow

ML 16217 SS Stainless Steel (Shown)
ML 16217 V Vinyl
Specify Left Arrow
Right Arrow (Shown)
Size 200mmW x 150mmH



Unisex Staff Toilets Divided

ML 16213 SS Stainless Steel (Shown)
ML 16213 V Vinyl
Size 190mmW x 150mmH



Unisex Staff Toilet

ML 16214 SS Stainless Steel
ML 16214 V Vinyl (Shown)
Size 190mmW x 150mmH



Unisex Accessible Toilets Divided LH Transfer

ML 16220 SS Stainless Steel
ML 16220 V Vinyl (Shown)
Size 210mmW x 150mmH



Unisex Accessible Toilets Divided LH Transfer & Arrow

ML 16230 SS Stainless Steel (Shown)
ML 16230 V Vinyl
Specify Left Arrow (Shown)
Right Arrow
Size 280mmW x 150mmH



Unisex Accessible Toilets Divided RH Transfer

ML 16221 SS Stainless Steel (Shown)
ML 16221 V Vinyl
Size 210mmW x 150mmH



Unisex Accessible Toilets Divided RH Transfer & Arrow

ML 16231 SS Stainless Steel
ML 16231 V Vinyl (Shown)
Specify Left Arrow (Shown)
Right Arrow
Size 280mmW x 150mmH



Unisex Accessible Toilet LH Transfer

ML 16222 SS Stainless Steel (Shown)
ML 16222 V Vinyl
Size 210mmW x 150mmH



Unisex Accessible Toilet LH Transfer & Arrow

ML 16232 SS Stainless Steel
ML 16232 V Vinyl (Shown)
Specify Left Arrow (Shown)
Right Arrow
Size 280mmW x 150mmH



Unisex Accessible Toilet RH Transfer

ML 16223 SS Stainless Steel
ML 16223 V Vinyl (Shown)
Size 210mmW x 150mmH



Unisex Accessible Toilet RH Transfer & Arrow

ML 16233 SS Stainless Steel (Shown)
ML 16233 V Vinyl
Specify Left Arrow (Shown)
Right Arrow
Size 280mmW x 150mmH



Unisex Accessible Changeroom LH Transfer

ML 16228 SS Stainless Steel
ML 16228 V Vinyl (Shown)
Size 250mmW x 150mmH



Unisex Accessible Changeroom RH Transfer

ML 16229 SS Stainless Steel (Shown)
ML 16229 V Vinyl
Size 250mmW x 150mmH



Note: Other signage available as required - POA & subject to standard lead times.



Unisex Changeroom

ML 16215 SS Stainless Steel (Shown)
ML 16215 V Vinyl
Size 190mmW x 150mmH



Unisex Shower

ML 16294 SS Stainless Steel
ML 16294 V Vinyl (Shown)
Size 200mmW x 150mmH



Unisex Baby Change

ML 16282 SS Stainless Steel (Shown)
ML 16282 V Vinyl
Size 210mmW x 150mmH



Unisex Accessible Toilets Divided LH Transfer & Shower

ML 16295 SS Stainless Steel (Shown)
ML 16295 V Vinyl
Size 300mmW x 150mmH



Unisex Accessible Toilets Divided LH Transfer & Baby Change

ML 16283 SS Stainless Steel
ML 16283 V Vinyl (Shown)
Size 340mmW x 150mmH



Unisex Accessible Toilets Divided RH Transfer & Shower

ML 16296 SS Stainless Steel
ML 16296 V Vinyl (Shown)
Size 300mmW x 150mmH



Unisex Accessible Toilets Divided RH Transfer & Baby Change

ML 16284 SS Stainless Steel (Shown)
ML 16284 V Vinyl
Size 340mmW x 150mmH



Unisex Accessible Toilets LH Transfer & Shower

ML 16297 SS Stainless Steel
ML 16297 V Vinyl (Shown)
Size 300mmW x 150mmH



Unisex Accessible Toilets LH Transfer & Baby Change

ML 16285 SS Stainless Steel (Shown)
ML 16285 V Vinyl
Size 340mmW x 150mmH



Unisex Accessible Toilets RH Transfer & Shower

ML 16298 SS Stainless Steel (Shown)
ML 16298 V Vinyl
Size 300mmW x 150mmH



Unisex Accessible Toilets RH Transfer & Baby Change

ML 16286 SS Stainless Steel
ML 16286 V Vinyl (Shown)
Size 340mmW x 150mmH



Accessible Shower

ML 16293 SS Stainless Steel (Shown)
ML 16293 V Vinyl
Size 200mmW x 150mmH



Baby Change

ML 16280 SS Stainless Steel (Shown)
ML 16280 V Vinyl
Size 150mmW x 150mmH



Accessible Changeroom RH Transfer

ML 16275 SS Stainless Steel
ML 16275 V Vinyl (Shown)
Size 190mmW x 150mmH



Parents Room

ML 16281 SS Stainless Steel
ML 16281 V Vinyl (Shown)
Size 200mmW x 150mmH



Accessible Changeroom LH Transfer

ML 16274 SS Stainless Steel (Shown)
ML 16274 V Vinyl
Size 190mmW x 150mmH



Note: Other signage available as required - POA & subject to standard lead times.



Accessible Toilet LH Transfer

ML 16270 SS Stainless Steel (Shown)
ML 16270 V Vinyl
Size 160mmW x 150mmH



Shower

ML 16290 SS Stainless Steel
ML 16290 V Vinyl (Shown)
Size 150mmW x 150mmH



Accessible Toilet RH Transfer

ML 16271 SS Stainless Steel
ML 16271 V Vinyl (Shown)
Size 160mmW x 150mmH



First Aid

ML 16095 SS Stainless Steel
ML 16095 V Vinyl (Shown)
Size 150mmW x 150mmH



Accessible Toilet LH Transfer & Arrow

ML 16272 SS Stainless Steel
ML 16272 V Vinyl (Shown)
Specify Left Arrow
Right Arrow (Shown)
Size 200mmW x 150mmH



Cleaner

ML 16092 SS Stainless Steel (Shown)
ML 16092 V Vinyl
Size 150mmW x 150mmH



Accessible Toilet RH Transfer & Arrow

ML 16273 SS Stainless Steel (Shown)
ML 16273 V Vinyl
Specify Left Arrow
Right Arrow (Shown)
Size 200mmW x 150mmH



Toilets (non Braille)

ML 16051 SS Stainless Steel (Shown)
ML 16051 V12 Black on Silver Vinyl
Size 230mmW x 57mmH



Accessible Entrance

ML 16234 SS Stainless Steel
ML 16234 V Vinyl (Shown)
Size 200mmW x 150mmH



Staff Only (non Braille)

ML 16061 SS Stainless Steel (Shown)
ML 16061 V12 Black on Silver Vinyl
Size 300mmW x 57mmH



Accessible Entrance & Arrow

ML 16235 SS Stainless Steel (Shown)
ML 16235 V Vinyl
Specify Left Arrow
Right Arrow (Shown)
Size 200mmW x 150mmH



Cleaner (non Braille)

ML 16091 SS Stainless Steel (Shown)
ML 16091 V12 Black on Silver Vinyl
Size 230mmW x 57mmH



Accessible Exit

ML 16236 SS Stainless Steel
ML 16236 V Vinyl (Shown)
Size 200mmW x 150mmH



Fire Hose Reel (non Braille)

ML 16212 SS Stainless Steel (Shown)
ML 16212 V12 Black on Silver Vinyl
Size 365mmW x 75mmH



Accessible Exit & Arrow

ML 16237 SS Stainless Steel (Shown)
ML 16237 V Vinyl
Specify Left Arrow
Right Arrow (Shown)
Size 200mmW x 150mmH



Switchboard (non Braille)

ML 16423 SS Stainless Steel (Shown)
ML 16423 V12 Black on Silver Vinyl
Size 300mmW x 57mmH



Note: Other signage available as required - POA & subject to standard lead times.



ML 015 Toilet Roll Roller

Material Single Piece ABS with Cast Pins
Finish Black
Suitability ML 800 AR, ML 800 & ML 801



ML 016 Toilet Roll Holder

Material Single Mould ABS with Stainless Steel Pins & Spring
Finish Grey
Suitability ML 820 & ML 825



ML 017 Toilet Roll Holder

Material Chrome Plated ABS with Steel Spring
Finish Bright Chrome
Suitability Standard Toilet Roll Holders



ML 018 Toilet Roll Holder

Material ABS with Steel Spring
Finish White
Suitability Standard Toilet Roll Holders



ML 019 Paper Towel Roll Holder

Material Blow Moulded ABS
Finish White
Suitability ML 4093



ML 020 Tumbler Lock & Key

Material #304 Stainless Steel
Finish Polished Stainless Steel
Suitability ML 800 AR, ML 800 & ML 801 plus all Standard Lockable Paper Towel Dispensers & Waste Receptacles



ML 021 Anti Theft Spindle

Material Heavy Duty Single Mould ABS
Finish Black
Features Anti Theft Protective Sheath
Suitability ML 017 & ML 018



In situ example
Holder not included

ML 030 Soap Dispenser Valve

Material #304 Stainless Steel Valve with Rubber Ring Seal & ABS Soap Feed
Finish Satin Stainless Steel
Suitability ML 600, ML 602 AR, ML 603, ML 605, ML 640 AS & ML 641 AS



ML 031-2 Soap Dispenser Eye

Material Single Mould ABS
Finish Clear
Suitability ML 600, ML 602 AR, ML 603, ML 605, ML 640 AS & ML 641 AS



ML 032-4/6 Soap Dispenser Valve

Material #304 Stainless Steel Piston & Spout, Brass Cover
Finish Polished Stainless Steel Piston, Spout & Mounting, Bright Chrome Cover
Suitability ML 628
Specify ML 032-4: 100mm Spout Length
 ML 032-6: 150mm Spout Length
Note Does not include Threaded Shank or Nut as depicted



ML 032-4: 100mm Spout Length

ML 033-4/6 Soap Dispenser Valve

Material Brass Piston, Spout & Mounting
Finish Bright Chrome Piston, Spout & Mounting
Suitability ML 616
Specify ML 033-4: 100mm Spout Length
 ML 033-6: 150mm Spout Length
Note Does not include Threaded Shank or Nut as depicted



ML 033-6: 150mm Spout Length

The photographs and line drawings of the products in this catalogue are representational only. Metlam Australia Pty Ltd reserves the right to, and from time to time, make changes and improvements in design and dimensions.